

Laundry Center Dryer Tech Data Sheet

This information is intended for Qualified Technicians Only.

CAUTION: UNLESS OTHERWISE DIRECTED, DISCONNECT ELECTRICAL CURRENT BEFORE SERVICING

Please Return This Sheet to the Product for Future Reference

Contents	Page
Diagnostics	1-2
Error code explanation.....	2
Error Code Chart.....	3-6
Français.....	7-13
Español.....	14-20
Laundry Center Washer.....	21-37
Wiring Diagrams.....	38-40

ACRONYM TABLE

- CW** - Clockwise
- CCW** - Counter Clockwise
- COLD - POWER ON** - When unit is powered for the first time.
- UI** - User Interface/Central LED board.
- FSD** - Free Stand Dryer.
- LC** - Laundry Center.
- NO** - Normally Open
- NTC** - NTC Thermistor
- MCF** - Machine Configuration File

DIAGNOSTIC MODE

The diagnostic test is used to check individual component function only.

TO START THE TEST:

1. Place the Cycle Selector knob in position 0 (12 o'clock).
2. Place the Temperature Selector in the High position.
3. Place the Dryness Level Selector (for select models only) in High/Extra-Dry.
4. Perform a Full Control Reset by pressing and holding the Cycle Selector knob for 6 seconds OR unplug the power cord, wait 5-8 seconds, then reconnect the power cord OR Cold-Power On.
5. Within 15 seconds of the reset (or power up), with the Dryness Level Selector (if mounted) at the High position, turn the cycle selector to the Casual cycle, turn the temperature selector to the left-most (highest temp available) position, and then press and release the Cycle Selector knob. There will be a short beep then turn the temperature knob to the right-most position (lowest temp available) and press and release the Cycle Selector knob. There will be another short beep then turn the temperature selector to the left-most (highest temp available) position, and then press and release the Cycle Selector knob. This will give a two second beep to signal the unit is now in Line Test Mode.

NOTE: If Diagnostic Mode cannot be entered even

after correct execution of Steps: 1—4, check the wiring and the edge connectors, i.e.; J7 (LC-Main Board), J7A (FSD-UI Board), J8 (LC-Main Board), J8A (FSD-UI Board), J10 (LC & FSD-Main Board), J10A (FSD_UI Board) and J9 (FSD-UI Board) and the edge connectors/wiring for the Dryness encoder and Cycle Selector. If Diagnostic Mode still not entered replace them and retry. If that does not solve the problem, replace the UI (FSD) and/or Main Board (UI & FSD) and retry.

6. The following steps can be cycled through by turning the Cycle Selector knob clockwise.

TABLE:1-- FACTORY LINE-TEST MODE.

Diagnostic Mode (All Cycle Selector positions in this table are going clockwise from Position-0)				
Selector Position	Encoder Positions	Test/Activated Components	Operator Check	Digit Display
0	N/A	Status-LEDs/7-Segment(select models)/ Beeper Test	Normal Operation: Beeper:1s on-1s off-Repeats—255 Times**. LEDs On: Same pattern as beeper.	Same as LED
1	N/A	NTC Test	Check for the following beeper/LED pattern. A) <u>Normal operation:</u> 3s On-1s Off-1s On-1s Off-Repeat—255 Times**. B) <u>NTC-open:</u> 0.25s On-0.25s Off- Repeats—255 Times**. C) <u>NTC-short:</u> 0.25s On-0.25s Off-0.25s On-3s Off-Repeats—255 Times**.	Same as LED

Selector Position	Encoder Positions	Test/Activated Components	Operator Check	Digit Display
2	Temp Selector: Medium/Normal Rocker Switches(select models): ON	Motor + Heater	Check Motor and Heater function. LEDs On: Drying and Cool-Down On.	N/A
3	A) Temp Selector: Low B) Rocker Switches(select models): OFF C) Dryness Level Selector Positions (select models): 1 - Max/High /Extra Dry 2- High/Normal /More Dry 3- Normal/Low/ Normal Dry 4- Low/Damp Dry 5-Damp	Contact Sensor (Operator will only be able to verify "1-" for models that have contact sensors but no Dryness Level Selector)	Contact Sensor Shorted: <u>Beeper/LED Active</u> Contact Sensor Open: <u>Beeper/LED Inactive</u> <u>Dryness Level Selector Position:</u> 1- Continuous Beep—655s On-0.25s Off- Repeats—255 Times**; Same LED Pattern.(Note: For models without dryness selector, this will be the only available sequence) 2- 1s On-3s Off- Repeats—255 Times**; Same LED Pattern. 3- 1s On-1s Off-1s On-3s Off- Repeats—255 Times**; Same LED Pattern. 4- 1s On-1s Off-1s On-1s Off-1s On-3s Off—Repeats—255 Times**;Same LED Pattern. 5- 1s On-1s Off-1s On-1s Off-1s On-1s Off-1s On-3s Off—Repeats—255 Times**;Same LED Pattern.	Same as LED
4	N/A	Error code display	Check error codes (See Table below for error code definitions).	Error Code

** The repeating sequence will time out automatically after 255 times. To refresh the counter change the cycle selector to a different position, while still in Diagnostic Mode and come back to the initially selected position.

7. To exit Diagnostic Mode:

- a) Unplug the power cord, wait 5-8 seconds, then reconnect the power cord OR
- b) Perform a Full Control Reset, by Pressing and Holding the Cycle Selector knob for 6 seconds.
- c) Automatically exits the Diagnostic Mode if no change in the User Interface for 30 minutes.

READING ERROR CODES

1. Error Codes can be viewed only in the Diagnostic Mode and when the Cycle Selector is in Position – 4 (see diagnostic mode table).
2. Last recorded error code will be displayed first.
3. Start/Pause button should be pressed to cycle through/view the last 5 error codes recorded.
4. To clear the error code(s): Press and Hold the Cycle Selector Knob for 3 seconds.
5. The error code will appear in the display (select models only) as an “#E” followed by two numbers. LED Flashing Beeping Sequence will be as per the table below.

NOTE:

1. 1E followed by the numbers means that is the first error code recorded. Similarly 2E followed by the numbers means that is the second error code recorded and so forth.
2. 1E through 5E— followed by two zeroes (1E->00, 2E->00... etc.. for models with digit-display) and No Flashing LED and No Beeper means no failure detected/none recorded.

TABLE:2--ERROR CODE TABLE AND DISPLAY/COMMUNICATION METHOD.

Error Code Displayed on the 7-segment ^{A*^A} . (Selective Models Only)	Error Code Displayed on the Status LED ¹¹ (Selective Models Only)	Error Code Sounded by buzzer ²²	Fault	Possible Fault Conditions	Possible Solutions
E31	<p>LED flashing sequence: 1. 0.5s On- 0.5s Off--3 Times (displays the 'tenths' of the error code). 2. 2s Break. 3. 0.5s On- 0.5s Off--1 Time (displays the 'units' of the error code). 4. 5s Break. 5. Repeat(255 times unless Start/Pause pressed to view the next code).</p>	The buzzer will be synchronized with the LED flashing sequence.	Moisture Sensors (for models with moisture bars only)	Main Board defective, Short across sensor bars,wiring open, bars contacting bulkhead, foreign object interfering with contact sensors.	Check Contact Sensors for foreign objects and wiring. If no problems found with contact sensors check the wiring(quick connect at the moisture bars and/or edge connector J3). If that doesn't fixes the problem, replace the electronic control board and re-try.
E41	<p>LED flashing sequence: 1. 0.5s On- 0.5s Off--4 Times (displays the 'tenths' of the error code). 2. 2s Break. 3. 0.5s On- 0.5s Off--1 Time (displays the 'units' of the error code). 4. 5s Break. 5. Repeat(255 times unless Start/Pause pressed to view the next code).</p>	The buzzer will be synchronized with the LED flashing sequence.	Door open	Door is open when cycle starts, Wiring, Door Switch	Close the door firmly and re-start the dryer. If the error still exists, check the Door-Switch, wiring (connectors for J2_1, Door Switch-COM and NO). If no problems found replace the electronic control board.
E51	<p>LED flashing sequence: 1. 0.5s On- 0.5s Off--5 Times (displays the 'tenths' of the error code). 2. 2s Break. 3. 0.5s On- 0.5s Off--1 Time (displays the 'units' of the error code). 4. 5s Break. 5. Repeat(255 times unless Start/Pause pressed to view the next code).</p>	The buzzer will be synchronized with the LED flashing sequence.	Motor Relay/Thermal Limiter/Locked Rotor/Motor Centrifugal-Switch 1/ Harness/Low Power Supply	Motor Relay Stuck Open; Locked Rotor; Harness; Low Power Supply; Thermal Limiter-1 Open; Motor Centrifugal Switch-1 stuck open or close	Turn on the dryer and measure continuity between J2_1 and J2_2. If no continuity found, replace control board.If no problem found with the motor relay, check Thermal Limiter-1;Motor;Wiring(Motor Connectors:M4,M5 and M6; J2_1 and J2_2 connectors, Thermal Limiter-1 connectors). If no problem found,try with a new electronic control board.
E52	<p>LED flashing sequence: 1. 0.5s On- 0.5s Off--5 Times (displays the 'tenths' of the error code). 2. 2s Break. 3. 0.5s On- 0.5s Off--2 Times (displays the 'units' of the error code). 4. 5s Break. 5. Repeat(255 times unless Start/Pause pressed to view the next code).</p>	The buzzer will be synchronized with the LED flashing sequence.	Motor Relay	Motor Relay Stuck Closed; Main Board	Power off the dryer by removing J1 connector and measure continuity between J2_1 and J2_2. If continuity found, replace the electronic control board. If not, disconnect the J1 connector(J2 is still open) and see if the Motor Relay (RL2 or RL1) contact closes automatically. If yes, replace the electronic control board.
E53	<p>LED flashing sequence: 1. 0.5s On- 0.5s Off--5 Times (displays the 'tenths' of the error code). 2. 2s Break. 3. 0.5s On- 0.5s Off--3 Times (displays the 'units' of the error code). 4. 5s Break. 5. Repeat(255 times unless Start/Pause pressed to view the next code).</p>	The buzzer will be synchronized with the LED flashing sequence.	Motor Fault-- Motor Stopped in the middle of a cycle	Motor Protector open; Laundry Load too heavy; Wiring	Empty the drum and re-start the dryer. If unit restarts normally clear the error. If unit does not restart, check continuity of Thermal Limiter-1. If found okay, check wiring diagram(J2 connectors; Motor Connectors;Door Switch connectors). If everything is okay, check the normality of door switch. If no problem found, change the board. If problem still exists change motor and re-try.
E54	<p>LED flashing sequence: 1. 0.5s On- 0.5s Off--5 Times (displays the 'tenths' of the error code). 2. 2s Break. 3. 0.5s On- 0.5s Off--4 Times (displays the 'units' of the error code). 4. 5s Break. 5. Repeat(255 times unless Start/Pause pressed to view the next code).</p>	The buzzer will be synchronized with the LED flashing sequence.	Centrifugal Switch 2/ Heater/ Thermal Limiter-2/Wiring	Centrifugal Switch 2 stuck open (Domestic Electric only); Heater Open or shorted to Ground/Thermal Limiter 2 open (Domestic ELECTRIC only); Centrifugal Switch 2 stuck close (Domestic ELECTRIC only); Wiring	Turn the dryer and check continuity between M1--M2 of the motor. If continuity found, replace motor. If not, start the dryer and check for continuity between M1--M2 of the motor, if not present replace the motor. Check for shorting of the heating element to ground/chassis, if shorted, replaced heating element. If no heater shorting found, check for impedance across the heating element. If found open, replace heater.If found okay, check continuity of Thermal Limiter-2. If found open-replace, if found okay, check wiring (harness connectors for Heater Relay-NO,COM; Thermal Limiter-2 connectors;Motor Connectors:M1 and M2; Heating Element Connectors). If all that found okay, replace control board and retry.

Error Code Displayed on the 7-segment ^{^*^} . (Selective Models Only)	Error Code Displayed on the Status LED ¹¹ (Selective Models Only)	Error Code Sounded by buzzer ²²	Fault	Possible Fault Conditions	Possible Solutions
E55	LED flashing sequence: 1. 0.5s On- 0.5s Off--5 Times (displays the 'tenths' of the error code). 2. 2s Break. 3. 0.5s On- 0.5s Off--5 Times (displays the 'units' of the error code). 4. 5s Break. 5. Repeat(255 times unless Start/Pause pressed to view the next code).	The buzzer will be synchronized with the LED flashing sequence.	Motor Sensing failure on Main Board/ Heater/ Thermal Limiter-2/Wiring	Main board defective	Replace the electronic control board and retry.
E56	LED flashing sequence: 1. 0.5s On- 0.5s Off--5 Times (displays the 'tenths' of the error code). 2. 2s Break. 3. 0.5s On- 0.5s Off--6 Times (displays the 'units' of the error code). 4. 5s Break. 5. Repeat(255 times unless Start/Pause pressed to view the next code).	The buzzer will be synchronized with the LED flashing sequence.	Belt	Belt Broken/Loose Belt	Check the belt. Replace the belt if found broken or loose.
E61	LED flashing sequence: 1. 0.5s On- 0.5s Off--6 Times (displays the 'tenths' of the error code). 2. 2s Break. 3. 0.5s On- 0.5s Off--1 Time (displays the 'units' of the error code). 4. 5s Break. 5. Repeat(255 times unless Start/Pause pressed to view the next code).	The buzzer will be synchronized with the LED flashing sequence.	Heater Relay Failure	Faulty Heater Relay--Stuck Open or Close.	Disconnect power (remove J1).If continuity present between Heater Relay-NO and COM replace main board. If found okay, select any temperature setting other than "Air-Fluff"--turn on the dryer and check continuity between Heater Relay-NO and COM. If no continuity found replace the main board and re-try..
E62	LED flashing sequence: 1. 0.5s On- 0.5s Off--6 Times (displays the 'tenths' of the error code). 2. 2s Break. 3. 0.5s On- 0.5s Off--2 Times (displays the 'units' of the error code). 4. 5s Break. 5. Repeat(255 times unless Start/Pause pressed to view the next code).	The buzzer will be synchronized with the LED flashing sequence.	Heating Timeout	Thermal Limiter 2 open (Domestic GAS only and International Electric Only)	Check for vent blockage; NTC; Thermal Limiter-2, Wiring
E65	LED flashing sequence: 1. 0.5s On- 0.5s Off--6 Times (displays the 'tenths' of the error code). 2. 2s Break. 3. 0.5s On- 0.5s Off--5 Times (displays the 'units' of the error code). 4. 5s Break. 5. Repeat(255 times unless Start/Pause pressed to view the next code).	The buzzer will be synchronized with the LED flashing sequence.	High Limit Thermostat trip count too high	Excessive exhaust blockage ; High Limit Thermostat Defective; Wiring	Check for vent blockage--remove blockage and retry. Check for NTC normality, if found defective, replace NTC and re-try. Check for excessive air-leaks. Wiring (fastons/harness for the NTC and at the J4 edge connector). If found okay, replace the main control board and re-try.
E67	LED flashing sequence: 1. 0.5s On- 0.5s Off--6 Times (displays the 'tenths' of the error code). 2. 2s Break. 3. 0.5s On- 0.5s Off--7 Times (displays the 'units' of the error code). 4. 5s Break. 5. Repeat(255 times unless Start/Pause pressed to view the next code).	The buzzer will be synchronized with the LED flashing sequence.	Heater Sensing failure on Main Board	Mainboard defective	Replace the electronic control board and retry..

Error Code Displayed on the 7-segment ^{^^^} . (Selective Models Only)	Error Code Displayed on the Status LED ¹¹ (Selective Models Only)	Error Code Sounded by buzzer ²²	Fault	Possible Fault Conditions	Possible Solutions
E71	<u>LED flashing sequence:</u> 1. 0.5s On- 0.5s Off--7 Times (displays the 'tenths' of the error code). 2. 2s Break. 3. 0.5s On- 0.5s Off--1 Time (displays the 'units' of the error code). 4. 5s Break. 5. Repeat(255 times unless Start/Pause pressed to view the next code).	The buzzer will be synchronized with the LED flashing sequence.	NTC Failure	NTC Open Circuit; Wiring; Main Board	Check NTC for normal impedance at room-temp (should be 50K @ 25degC +/- 5%), if invalid value detected, replace NTC and re-try. If found okay check wiring(fastons on NTC harness and wiring/edge connector J4). If found okay, replace the electronic control board and re-try.
E72	<u>LED flashing sequence:</u> 1. 0.5s On- 0.5s Off--7 Times (displays the 'tenths' of the error code). 2. 2s Break. 3. 0.5s On- 0.5s Off--2 Times (displays the 'units' of the error code). 4. 5s Break. 5. Repeat(255 times unless Start/Pause pressed to view the next code).	The buzzer will be synchronized with the LED flashing sequence.	NTC Failure	NTC Closed Circuit; Wiring; Main Board	Check NTC for normal impedance at room-temp (should be 50K @ 25degC +/- 5%), if invalid value detected, replace NTC and re-try. If found okay check wiring(fastons on NTC harness and wiring/edge connector J4). If found okay, replace the electronic control board and re-try.
E81	<u>LED flashing sequence:</u> 1. 0.5s On- 0.5s Off--8 Times (displays the 'tenths' of the error code). 2. 2s Break. 3. 0.5s On- 0.5s Off--1 Time (displays the 'units' of the error code). 4. 5s Break. 5. Repeat(255 times unless Start/Pause pressed to view the next code).	The buzzer will be synchronized with the LED flashing sequence.	Program Selector/Encoder	Main Board; Wiring; Encoder/Cycle selector;Software	Check wiring (at edge connectors: J7;J8;J10) if found okay replace encoders and cycle selector re-try. If problem still exist, replace main board and re-try.
E82	<u>LED flashing sequence:</u> 1. 0.5s On- 0.5s Off--8 Times (displays the 'tenths' of the error code). 2. 2s Break. 3. 0.5s On- 0.5s Off--2 Times (displays the 'units' of the error code). 4. 5s Break. 5. Repeat(255 times unless Start/Pause pressed to view the next code).	The buzzer will be synchronized with the LED flashing sequence.	Key-Stuck	Key-Stuck Error; Wiring; Cycle Selector;Main Board; Software	Remove the cycle selectotr knob and restart the dryer.If problem still exist, check wiring(at edge connector J10). If found okay replace cycle select and retry. If problem still exist, replace main electronic control board and re-try.
E93	<u>LED flashing sequence:</u> 1. 0.5s On- 0.5s Off--9 Times (displays the 'tenths' of the error code). 2. 2s Break. 3. 0.5s On- 0.5s Off--3 Times (displays the 'units' of the error code). 4. 5s Break. 5. Repeat(255 times unless Start/Pause pressed to view the next code).	The buzzer will be synchronized with the LED flashing sequence.	Software Configuration	Wrong MCF data loaded; Microprocessor corrupted	Replace main electronic control board and re-try.
E94	<u>LED flashing sequence:</u> 1. 0.5s On- 0.5s Off--9 Times (displays the 'tenths' of the error code). 2. 2s Break. 3. 0.5s On- 0.5s Off--4 Times (displays the 'units' of the error code). 4. 5s Break. 5. Repeat(255 times unless Start/Pause pressed to view the next code).	The buzzer will be synchronized with the LED flashing sequence.	Software Configuration	Wrong MCF data loaded; Microprocessor corrupted	Replace main electronic control board and re-try.

Error Code Displayed on the 7-segment [^] , (Selective Models Only)	Error Code Displayed on the Status LED ¹¹ (Selective Models Only)	Error Code Sounded by buzzer ²²	Fault	Possible Fault Conditions	Possible Solutions
E97	LED flashing sequence: 1. 0.5s On- 0.5s Off--9 Times (displays the 'tenths' of the error code). 2. 2s Break. 3. 0.5s On- 0.5s Off--7 Times (displays the 'units' of the error code). 4. 5s Break. 5. Repeat(255 times unless Start/Pause pressed to view the next code).	The buzzer will be synchronized with the LED flashing sequence.	Software Configuration	Wrong MCF data loaded; Microprocessor corrupted	Replace main electronic control board and re-try.
EA1	LED flashing sequence: 1. 0.5s On- 0.5s Off--10 Times (displays the 'tenths' of the error code). 2. 2s Break. 3. 0.5s On- 0.5s Off--1 Time (displays the 'units' of the error code). 4. 5s Break. 5. Repeat(255 times unless Start/Pause pressed to view the next code).	The buzzer will be synchronized with the LED flashing sequence.	Line Frequency	Line frequency(Lf) out of limits(54Hz<Lf<46Hz for 50Hz system and 64Hz<Lf<56Hz for 60Hz system); Microprocessor corrupted; Main Board	If Lf found to be out of limits communicate the same to the consumer. If not, replace the electronic control board and re-try.
EA2	LED flashing sequence: 1. 0.5s On- 0.5s Off--10 Times (displays the 'tenths' of the error code). 2. 2s Break. 3. 0.5s On- 0.5s Off--2 Times (displays the 'units' of the error code). 4. 5s Break. 5. Repeat(255 times unless Start/Pause pressed to view the next code).	The buzzer will be synchronized with the LED flashing sequence.	High_Line	MAIN_V>264 Vrms(240V system);> 138Vrms(120V system); Microprocessor corrupted; Main Board	Check the AC main voltage. If found too high communicate the same to the consumer and try to restart the dryer. If dryer does not starts, replace the electronic control board and re-try.
EA3	LED flashing sequence: 1. 0.5s On- 0.5s Off--10 Times (displays the 'tenths' of the error code). 2. 2s Break. 3. 0.5s On- 0.5s Off--3 Times (displays the 'units' of the error code). 4. 5s Break. 5. Repeat(255 times unless Start/Pause pressed to view the next code).	The buzzer will be synchronized with the LED flashing sequence.	Low_Line	MAIN_V<180 Vrms(240V system);< 90Vrms(120V system); Microprocessor corrupted; Main Board	Check the AC main voltage. If found too low communicate the same to the consumer and try to restart the dryer. If dryer does not starts, replace the electronic control board and re-try.
EA5	LED flashing sequence: 1. 0.5s On- 0.5s Off--10 Times (displays the 'tenths' of the error code). 2. 2s Break. 3. 0.5s On- 0.5s Off--5 Times (displays the 'units' of the error code). 4. 5s Break. 5. Repeat(255 times unless Start/Pause pressed to view the next code).	The buzzer will be synchronized with the LED flashing sequence.	Line Amplitude Sensing failure on Main Board	Main Board;Microprocessor corrupted; Software	Replace the electronic control board and re-try.

[^] "E" will be displayed for 0.5s and "error-code number" for 1s. This sequence will repeat 255 times if Start/Pause not pressed to cycle through the next error codes.

¹¹ With each press of the Start/Pause button, subsequent error codes will be "flashed" until the last recorded error code is reached and then this sequence will repeat.

²² With each press of the Start/Pause button, subsequent error codes will be "sounded" until the last recorded error code is reached and then this sequence will repeat.

Fiche de données techniques de sècheuse

Informations réservées aux techniciens qualifiés.

ATTENTION: SAUF DISPOSITIONS CONTRAIRES, DÉBRANCHER LE COURANT ÉLECTRIQUE AVANT TOUT SERVICE.

Veuillez garder cette feuille dans l'appareil pour référence future.

TABLE DES ACRONYMES

HOR – horaire

ANTIHOR – Antihoraire

PREMIÈRE ALIMENTATION – Lorsque l'unité est alimentée pour la première fois.

IU – Interface utilisateur/carte DEL centrale

FSD – Sècheuse autonome

LC – Laveuse et sècheuse superposée

CTN – thermistance à coefficient de température négatif

NO – normalement ouvert

MCF – fichier de configuration de l'appareil

MODE DE DIAGNOSTIC

1. Placez le bouton de sélecteur de programme à la position 0 (midi).
2. Placez le sélecteur de température à la position HIGH/NORMAL (élevée/normale).
3. Placez le sélecteur de niveau de séchage (certains modèles) à EXTRA/VERY DRY (très sec).
4. Effectuez une réinitialisation complète des commandes en appuyant et en maintenant enfoncé le bouton de sélecteur de programme pendant 6 secondes OU débranchez le cordon d'alimentation, attendez de 5 à 8 secondes, puis rebranchez le cordon OU effectuez une première alimentation.
5. Dans les 15 secondes suivant la réinitialisation (ou l'alimentation de l'appareil), placez le bouton de sélection du niveau de séchage (si installé) en position High (élevé), tournez le bouton de sélection de programme en position Casual (tout-aller), tournez le bouton de sélection de la température à sa position la plus à gauche (la température la plus élevée disponible), puis appuyez sur le bouton de sélection de programme et relâchez-le. Après qu'un court signal sonore se sera fait entendre, tournez le bouton de sélection de la température à l'extrême droite (la température la moins élevée disponible), puis appuyez sur le bouton de sélection de programme et relâchez-le. Après qu'un court signal sonore se sera fait entendre, tournez le bouton de sélection de la température à l'extrême gauche (la température la plus élevée disponible), puis appuyez sur le bouton de sélection de programme et relâchez-le. Un signal sonore de deux secondes se fera entendre pour indiquer que l'appareil est maintenant en mode d'essai des circuits électriques.

REMARQUE : Si le mode de diagnostic est inaccessible après l'exécution conforme des étapes 1 à 4, vérifiez le câblage des connecteurs latéraux (par exemple J7 [tableau principal-LC], J7A [carte FSD-IU], J8 [tableau principal-LC], J8A [carte FSD-IU], J10 [tableau principal FSD et LC], J10A [carte IU_FSD] et J9 [carte FSD-IU]) et le câblage et les connecteurs latéraux de l'encodeur de niveau de séchage et du sélecteur de programme. Si le mode de diagnostic est toujours inaccessible, remplacez-les et essayez à nouveau. Si cela ne permet pas de résoudre le problème, remplacez l'IU (FSD) ou le tableau principal (IU et FSD) et essayez à nouveau.

6. Vous pouvez passer les étapes suivantes en tournant le bouton de sélecteur de programme dans le sens horaire.

TABLEAU 1 - MODE D'ESSAI EN USINE.

Mode de diagnostic (toutes les positions de sélecteur de programme de cette table vont en sens horaire à partir de la position 0)				
Position du sélecteur	Positions de l'encodeur	Composants activés/test	Vérification de l'opérateur	Affichage numérique
0	S/O	État-DEL/7-segment (certains modèles)/test sonore	Fonctionnement normal : Alarme sonore : 1 s marche, 1 s arrêt; répétée 255 fois**. DEL en marche : Même séquence que l'alarme sonore.	Même que DEL
1	S/O	Test CTN (thermistance à coefficient de température négatif)	Vérifiez la séquence d'alarme sonore/DEL suivante. A) Fonctionnement normal : 3 s marche, 1 s arrêt, 1 s marche, 1 s arrêt; répétée 255 fois**. B) CTN ouvert : 0,25 s marche, 0,25 s arrêt; répétée 255 fois**. C) court-circuit CTN : 0,25 s marche, 0,25 s arrêt, 0,25 s marche, 3 s arrêt; répétée 255 fois**.	Même que DEL
2	Sélecteur de température : MEDIUM/NORMAL (moyenne/normale) Interrupteurs à berceau (certains modèles) : ON (marche)	Moteur + élément chauffant	Vérifiez le fonctionnement du moteur et des éléments chauffants. DEL en marche : Séchage et refroidissement en marche.	S/O

Position du sélecteur	Positions de l'encodeur	Composants activés/test	Vérification de l'opérateur	
3	<p>A) Sélecteur de température : LOW (faible) B) Interrupteurs à berceau (certains modèles) : OFF (arrêt)</p> <p>C) Positions du sélecteur de niveau de séchage (certains modèles) :</p> <p>1 - MAX / HIGH / EXTRA DRY (maximum / élevé / très sec) 2 - HIGH / NORMAL / MORE DRY (élevé / normal / plus sec) 3 - NORMAL / LOW / NORMAL DRY (normal / faible / séchage normal) 4 - LOW / DAMP DRY (faible / séchage humide) 5 - DAMP (humide)</p>	<p>Capteur de contact (L'opérateur pourra seulement vérifier « 1 - » pour les modèles qui possèdent des capteurs de contact, mais qui n'ont pas de sélecteur de niveau de séchage)</p>	<p>Court-circuit de capteur de contact : Alarme sonore/DEL active Capteur de contact ouvert : Alarme sonore/DEL inactive Position du sélecteur de niveau de séchage :</p> <p>1. Bip continu - 655 s marche, 0,25 s arrêt; répétée 255 fois**; même séquence DEL. (Remarque : Pour les modèles sans sélecteur de niveau de séchage, ce sera la seule séquence disponible)</p> <p>2. 1 s marche, 3 s arrêt; répétée 255 fois**; même séquence DEL.</p> <p>3. 1 s marche, 1 s arrêt, 1 s marche, 3 s arrêt; répétée 255 fois**; même séquence DEL.</p> <p>4. 1 s marche, 1 s arrêt, 1 s marche, 1 s arrêt, 1 s marche, 3 s arrêt; répétée 255 fois**; même séquence DEL.</p> <p>5. 1 s marche, 1 s arrêt, 1 s marche, 1 s arrêt, 1 s marche, 3 s arrêt; répétée 255 fois**; même séquence DEL.</p>	Même que DEL
4	S/O	Affichage de code d'erreur	Vérifiez les codes d'erreur (voir le tableau ci-dessous pour connaître les définitions des codes d'erreur).	Code d'erreur

** La séquence répétée s'arrêtera automatiquement après 255 répétitions. Pour réinitialiser le compteur, placez le sélecteur de programme à une autre position (en restant en mode de diagnostic) et revenez à la position d'origine.

7. Pour quitter le mode de diagnostic :

- Débranchez le cordon d'alimentation, attendez de 5 à 8 secondes et rebranchez le cordon d'alimentation OU
- Effectuez une réinitialisation complète des commandes en appuyant sur le bouton de sélecteur de programme et en le maintenant enfoncé pendant 6 secondes.
- Quitte automatiquement le mode de diagnostic s'il n'y a aucun changement à l'interface utilisateur après 1/2 heure.

AFFICHER LES CODES D'ERREUR

- Les codes d'erreur peuvent seulement être affichés en mode de diagnostic et lorsque le sélecteur de programme est en position – 4 (reportez-vous au tableau de mode de diagnostic).
- Le dernier code d'erreur enregistré sera affiché en premier.
- La touche START/PAUSE (départ/pause) devrait être enfoncée pour consulter les 5 derniers codes d'erreur enregistrés.
- Pour effacer le(s) code(s) d'erreur : Appuyez sur le bouton de sélecteur de programme et maintenez-le enfoncé pendant 3 secondes.
- Le code d'erreur s'affiche à l'écran (certains modèles seulement) (un « #E » suivi de deux chiffres). La séquence de clignotement des DEL ou des bips sera conforme au tableau ci-dessous.

REMARQUE :

- 1E suivi par les chiffres signifie le premier code d'erreur enregistré. De la même façon, 2E suivi par les chiffres signifie le deuxième code d'erreur enregistré, etc.
- 1E au 5E – suivi par deux zéros (1E->00, 2E->00...etc., pour modèles équipés avec affichage à chiffres) et Aucune DEL clignotant et Aucun Bip signifie qu'aucune défaillance n'est détectée ni enregistrée.

TABLEAU 2 - TABLEAU DE CODES D'ERREUR ET MÉTHODE DE COMMUNICATION/D'AFFICHAGE

Code d'erreur affiché sur 7-segment ^{A**A} (certains modèles seulement)	Code d'erreur affiché sur la DEL d'état ¹ (certains modèles seulement)	Code d'erreur activé par alarme sonore ²	Erreur	Conditions d'erreur possibles	Solutions possibles
E31	Séquence de clignotement DEL : 1. 0,5 s marche, 0,5 s arrêt; 3 répétitions (affiche les dixièmes du code d'erreur). 2. Pause de 2 s. 3. 0,5 s marche, 0,5 s arrêt; 1 répétition (affiche les unités du code d'erreur). 4. Pause de 5 s. 5. Répétitions (255 fois, sauf si la touche START/PAUSE (départ/pause) est enfoncée pour voir le prochain code).	L'alarme sonore sera synchronisée à la séquence de clignotement DEL.	Détecteurs d'humidité (pour les modèles dotés de barres d'humidité seulement)	Carte principale défectueuse, court-circuit sur les détecteurs d'humidité, câblage ouvert, barres en contact avec la cloison, matières étrangères interférant avec les capteurs de contact	Vérifiez les capteurs de contact et le câblage. Si aucun problème n'est décelé avec les capteurs de contact, vérifiez le câblage (raccord rapide aux détecteurs d'humidité ou au connecteur plat J3). Si cela ne règle pas le problème, remplacez le tableau de commande électronique et essayez à nouveau.
E41	Séquence de clignotement DEL : 1. 0,5 s marche, 0,5 s arrêt; 4 répétitions (affiche les dixièmes du code d'erreur). 2. Pause de 2 s. 3. 0,5 s marche, 0,5 s arrêt; 1 répétition (affiche les unités du code d'erreur). 4. Pause de 5 s. 5. Répétitions (255 fois, sauf si la touche START/PAUSE (départ/pause) est enfoncée pour voir le prochain code).	L'alarme sonore sera synchronisée à la séquence de clignotement DEL.	Porte ouverte	La porte est ouverte lorsque le programme commence, câblage, interrupteur de porte	Fermez la porte fermement et remettez la sècheuse en marche. Si l'erreur est toujours présente, vérifiez l'interrupteur de porte, le câblage (les connecteurs J2_1, l'interrupteur de porte-COM et NO [normalement ouvert]). Si aucun problème n'est décelé, remplacez le tableau de commande électronique.
E51	Séquence de clignotement DEL : 1. 0,5 s marche, 0,5 s arrêt; 5 répétitions (affiche les dixièmes du code d'erreur). 2. Pause de 2 s. 3. 0,5 s marche, 0,5 s arrêt; 1 répétition (affiche les unités du code d'erreur). 4. Pause de 5 s. 5. Répétitions (255 fois, sauf si la touche START/PAUSE (départ/pause) est enfoncée pour voir le prochain code).	L'alarme sonore sera synchronisée à la séquence de clignotement DEL.	Relais de moteur/limiteur thermique/rotor bloqué/moteur centrifuge-interrupteur 1/faisceau/faible alimentation électrique	Relais de moteur coincé en position ouverte; rotor bloqué; faisceau; faible alimentation électrique; limiteur thermique-1 ouvert; interrupteur-1 de moteur centrifuge bloqué en position ouverte ou fermée	Mettez la sècheuse en marche et mesurez la continuité entre J2_1 et J2_2. S'il n'y a aucune continuité, remplacez le tableau de commande. Si aucun problème n'est décelé avec le relais du moteur, vérifiez le limiteur thermique-1; câblage (connecteurs du moteur : M4, M5 et M6; connecteurs J2_1 et J2_2, connecteurs du limiteur thermique-1). Si aucun problème n'est décelé, remplacez le tableau de commande électronique.
E52	Séquence de clignotement DEL : 1. 0,5 s marche, 0,5 s arrêt; 5 répétitions (affiche les dixièmes du code d'erreur). 2. Pause de 2 s. 3. 0,5 s. marche, 0,5 s arrêt; 2 répétitions (affiche les unités du code d'erreur). 4. Pause de 5 s. 5. Répétitions (255 fois, sauf si la touche START/PAUSE (départ/pause) est enfoncée pour voir le prochain code).	L'alarme sonore sera synchronisée à la séquence de clignotement DEL.	Relais de moteur	Relais de moteur coincé en position fermée; carte principale	Coupez l'alimentation à la sècheuse en retirant le connecteur J1 et en mesurant la continuité entre J2_1 et J2_2. S'il y a continuité, remplacez le tableau de commande électronique. Sinon, débranchez le connecteur J1 (J2 est toujours ouvert) et vérifiez si le contact du relais de moteur (RL2 ou RL1) se ferme automatiquement. Si oui, remplacez le tableau de commande électronique.

Code d'erreur affiché sur 7-segment ^{A*A} (certains modèles seulement)	Code d'erreur affiché sur la DEL d'état ¹ (certains modèles seulement)	Code d'erreur activé par alarme sonore ²²	Erreur	Conditions d'erreur possibles	Solutions possibles
E53	Séquence de clignotement DEL : 1. 0,5 s marche, 0,5 s arrêt; 5 répétitions (affiche les dixièmes du code d'erreur). 2. Pause de 2 s. 3. 0,5 s. marche, 0,5 s arrêt; 3 répétitions (affiche les unités du code d'erreur). 4. Pause de 5 s. 5. Répétitions (255 fois, sauf si la touche START/PAUSE (départ/pause) est enfoncée pour voir le prochain code).	L'alarme sonore sera synchronisée à la séquence de clignotement DEL.	Défaillance du moteur moteur arrêté en milieu de programme	Protection du moteur ouverte; charge de lavage trop lourde; câblage	Videz le tambour et remettez la sècheuse en marche. Si l'unité redémarre normalement, effacez le code d'erreur. Si l'unité ne redémarre pas, vérifiez la continuité du limiteur thermique-1. S'il est en bon état, vérifiez le schéma de câblage (connecteurs J2; connecteurs au moteur; connecteurs de l'interrupteur de la porte). Si tout est en bon état, vérifiez l'état de l'interrupteur de porte. Si aucun problème n'est décelé, remplacez le tableau de commande. Si le problème est toujours présent, changez le moteur et essayez à nouveau.
E54	Séquence de clignotement DEL : 1. 0,5 s marche, 0,5 s arrêt; 5 répétitions (affiche les dixièmes du code d'erreur). 2. Pause de 2 s. 3. 0,5 s. marche, 0,5 s arrêt; 4 répétitions (affiche les unités du code d'erreur). 4. Pause de 5 s. 5. Répétitions (255 fois, sauf si la touche START/PAUSE (départ/pause) est enfoncée pour voir le prochain code).	L'alarme sonore sera synchronisée à la séquence de clignotement DEL.	Interrupteur de centrifuge-2/ Élément chauffant/ Limiteur thermique-2/Câblage	Interrupteur de centrifuge-2 coincé en position ouverte (modèles électriques domestiques seulement); élément chauffant ouvert ou en court-circuit à la masse/limiteur thermique-2 ouvert (modèles électriques domestiques seulement); interrupteur de centrifuge-2 coincé en position fermée (modèles électriques domestiques seulement); câblage	Retournez la sècheuse et vérifiez la continuité entre les bornes M1-M2 du moteur. S'il y a continuité, remplacez le moteur. Sinon, mettez la sècheuse en marche et vérifiez la continuité entre les bornes M1-M2 du moteur. S'il n'y a pas de continuité, remplacez le moteur. Vérifiez la présence d'un court-circuit entre l'élément chauffant et la masse (châssis). S'il y a un court-circuit, remplacez l'élément chauffant. S'il n'y a pas de court-circuit de l'élément chauffant, vérifiez l'impédance de l'élément chauffant. Si le circuit est ouvert, remplacez l'élément chauffant. S'il est en bon état, vérifiez la continuité du limiteur thermique-2. S'il est ouvert, remplacez-le. S'il est en bon état, vérifiez le câblage (les connecteurs de faisceau du relais d'élément chauffant-NO [normalement ouvert], COM; les connecteurs du limiteur thermique-2; les connecteurs de moteur : M1 et M2, et les connecteurs de l'élément chauffant). Si tout est en bon état, remplacez le tableau de commande et essayez à nouveau.
E55	Séquence de clignotement DEL : 1. 0,5 s marche, 0,5 s arrêt; 5 répétitions (affiche les dixièmes du code d'erreur). 2. Pause de 2 s. 3. 0,5 s marche, 0,5 s arrêt; 5 répétitions (affiche les unités du code d'erreur). 4. Pause de 5 s. 5. Répétitions (255 fois, sauf si la touche START/PAUSE (départ/pause) est enfoncée pour voir le prochain code).	L'alarme sonore sera synchronisée à la séquence de clignotement DEL.	Défaillance de capteur de moteur sur la carte principale/ Élément chauffant/ Limiteur thermique-2/Câblage	Défaillance du tableau principal	Remplacez le tableau de commande électronique et essayez à nouveau.
E56	Séquence de clignotement DEL : 1. 0,5 s marche, 0,5 s arrêt; 5 répétitions (affiche les dixièmes du code d'erreur). 2. Pause de 2 s. 3. 0,5 s marche, 0,5 s arrêt; 6 répétitions (affiche les unités du code d'erreur). 4. Pause de 5 s. 5. Répétitions (255 fois, sauf si la touche START/PAUSE (départ/pause) est enfoncée pour voir le prochain code).	L'alarme sonore sera synchronisée à la séquence de clignotement DEL.	Courroie	Courroie brisée ou lâche	Vérifiez la courroie. Si elle est brisée ou usée, remplacez-la.

Code d'erreur affiché sur 7-segment ^{***} (certains modèles seulement)	Code d'erreur affiché sur la DEL d'état ¹¹ (certains modèles seulement)	Code d'erreur activé par alarme sonore ²²	Erreur	Conditions d'erreur possibles	Solutions possibles
E61	Séquence de clignotement DEL : 1. 0,5 s marche, 0,5 s arrêt; 6 répétitions (affiche les dixièmes du code d'erreur). 2. Pause de 2 s. 3. 0,5 s marche, 0,5 s arrêt; 1 répétition (affiche les unités du code d'erreur). 4. Pause de 5 s. 5. Répétitions (255 fois, sauf si la touche START/PAUSE (départ/pause) est enfoncée pour voir le prochain code).	L'alarme sonore sera synchronisée à la séquence de clignotement DEL.	Défaillance du relais d'élément chauffant	Relais d'élément chauffant défectueux - coincé en position ouverte ou fermée	Coupez l'alimentation (retirez J1). S'il y a continuité entre le relais d'élément chauffant (normalement ouvert) et COM, remplacez le tableau principal. S'il est en bon état, sélectionnez tout réglage de température autre que AIR FLUFF (duvetage) - mettez la sècheuse en marche et vérifiez la continuité entre le relais d'élément chauffant (normalement ouvert) et COM. S'il n'y a pas de continuité, remplacez le tableau principal et essayez à nouveau.
E62	Séquence de clignotement DEL : 1. 0,5 s marche, 0,5 s arrêt; 6 répétitions (affiche les dixièmes du code d'erreur). 2. Pause de 2 s. 3. 0,5 s. marche, 0,5 s arrêt; 2 répétitions (affiche les unités du code d'erreur). 4. Pause de 5 s. 5. Répétitions (255 fois, sauf si la touche START/PAUSE (départ/pause) est enfoncée pour voir le prochain code).	L'alarme sonore sera synchronisée à la séquence de clignotement DEL.	Arrêt du chauffage	Limiteur thermique-2 ouvert (modèles domestiques au gaz et internationaux électriques seulement)	Vérifiez si l'événement est bloqué; thermistance CTN; limiteur thermique-2; câblage.
E65	Séquence de clignotement DEL : 1. 0,5 s marche, 0,5 s arrêt; 6 répétitions (affiche les dixièmes du code d'erreur). 2. Pause de 2 s. 3. 0,5 s marche, 0,5 s arrêt; 5 répétitions (affiche les unités du code d'erreur). 4. Pause de 5 s. 5. Répétitions (255 fois, sauf si la touche START/PAUSE (départ/pause) est enfoncée pour voir le prochain code).	L'alarme sonore sera synchronisée à la séquence de clignotement DEL.	Compte de déclenchement de limite supérieure de thermostat trop élevé	Blocage excessif de l'évacuation; thermostat de limite supérieure défectueux; câblage	Vérifiez si l'évacuation est bloquée - éliminez le blocage et essayez à nouveau. Vérifiez l'état de la thermistance CTN. Si elle est défectueuse, remplacez-la et essayez à nouveau. Vérifiez s'il y a des fuites d'air excessives. Câblage (connecteurs Faston/faisceau de la thermistance CTN et au connecteur latéral J4). S'il est en bon état, remplacez le tableau principal et essayez à nouveau.
E67	Séquence de clignotement DEL : 1. 0,5 s marche, 0,5 s arrêt; 6 répétitions (affiche les dixièmes du code d'erreur). 2. Pause de 2 s. 3. 0,5 s marche, 0,5 s arrêt; 7 répétitions (affiche les unités du code d'erreur). 4. Pause de 5 s. 5. Répétitions (255 fois, sauf si la touche START/PAUSE (départ/pause) est enfoncée pour voir le prochain code).	L'alarme sonore sera synchronisée à la séquence de clignotement DEL.	Défaillance de capteur d'élément chauffant sur la carte principale	Carte principale défectueuse	Remplacez le tableau de commande électronique et essayez à nouveau.
E71	Séquence de clignotement DEL : 1. 0,5 s marche, 0,5 s arrêt; 7 répétitions (affiche les dixièmes du code d'erreur). 2. Pause de 2 s. 3. 0,5 s marche, 0,5 s arrêt; 1 répétition (affiche les unités du code d'erreur). 4. Pause de 5 s. 5. Répétitions (255 fois, sauf si la touche START/PAUSE (départ/pause) est enfoncée pour voir le prochain code).	L'alarme sonore sera synchronisée à la séquence de clignotement DEL.	Défaillance de la thermistance CTN	Circuit CTN ouvert; câblage; tableau principal	Vérifiez l'impédance de la thermistance CTN à la température ambiante (devrait être 50 000 à 25 °C ± 5 %). Si la valeur est hors norme, remplacez la thermistance CTN et essayez à nouveau. Si la valeur est bonne, vérifiez le câblage (connecteurs Faston du faisceau CTN et câblage au connecteur latéral J4). S'il est en bon état, remplacez le tableau de commande électronique et essayez à nouveau.

Code d'erreur affiché sur 7-segment ^{***} (certains modèles seulement)	Code d'erreur affiché sur la DEL d'état ¹ (certains modèles seulement)	Code d'erreur activé par alarme sonore ²	Erreur	Conditions d'erreur possibles	Solutions possibles
E72	<u>Séquence de clignotement DEL :</u> 1. 0,5 s marche, 0,5 s arrêt; 7 répétitions (affiche les dixièmes du code d'erreur). 2. Pause de 2 s. 3. 0,5 s. marche, 0,5 s arrêt; 2 répétitions (affiche les unités du code d'erreur). 4. Pause de 5 s. 5. Répétitions (255 fois, sauf si la touche START/PAUSE (départ/pause) est enfoncée pour voir le prochain code).	L'alarme sonore sera synchronisée à la séquence de clignotement DEL.	Défaillance de la thermistance CTN	Circuit CTN fermé; câblage; tableau principal	Vérifiez l'impédance de la thermistance CTN à la température ambiante (devrait être 50 000 à 25 °C ± 5 %). Si la valeur est hors norme, remplacez la thermistance CTN et essayez à nouveau. Si la valeur est bonne, vérifiez le câblage (connecteurs Faston du faisceau CTN et câblage au connecteur latéral J4). S'il est en bon état, remplacez le tableau de commande électronique et essayez à nouveau.
E81	<u>Séquence de clignotement DEL :</u> 1. 0,5 s marche, 0,5 s arrêt; 8 répétitions (affiche les dixièmes du code d'erreur). 2. Pause de 2 s. 3. 0,5 s marche, 0,5 s arrêt; 1 répétition (affiche les unités du code d'erreur). 4. Pause de 5 s. 5. Répétitions (255 fois, sauf si la touche START/PAUSE (départ/pause) est enfoncée pour voir le prochain code).	L'alarme sonore sera synchronisée à la séquence de clignotement DEL.	Sélecteur de programme/encodeur	Tableau principal; câblage; sélecteur de programme/encodeur; logiciel	Vérifiez le câblage (aux connecteurs latéraux J7, J8 et J10). S'il est en bon état, remplacez les encodeurs et le sélecteur de programme, et essayez à nouveau. Si le problème est toujours présent, changez le tableau principal et essayez à nouveau.
E82	<u>Séquence de clignotement DEL :</u> 1. 0,5 s marche, 0,5 s arrêt; 8 répétitions (affiche les dixièmes du code d'erreur). 2. Pause de 2 s. 3. 0,5 s. marche, 0,5 s arrêt; 2 répétitions (affiche les unités du code d'erreur). 4. Pause de 5 s. 5. Répétitions (255 fois, sauf si la touche START/PAUSE (départ/pause) est enfoncée pour voir le prochain code).	L'alarme sonore sera synchronisée à la séquence de clignotement DEL.	Touche coincée	Erreur de touche coincée; câblage; sélecteur de programme; tableau principal; logiciel	Retirez le bouton du sélecteur de programme et redémarrez la sècheuse. Si le problème persiste, vérifiez le câblage (au connecteur latéral J10). S'il est en bon état, remplacez le sélecteur de programme et essayez à nouveau. Si le problème est toujours présent, changez le tableau de commande électronique et essayez à nouveau.
E93	<u>Séquence de clignotement DEL :</u> 1. 0,5 s marche, 0,5 s arrêt; 9 répétitions (affiche les dixièmes du code d'erreur). 2. Pause de 2 s. 3. 0,5 s. marche, 0,5 s arrêt; 3 répétitions (affiche les unités du code d'erreur). 4. Pause de 5 s. 5. Répétitions (255 fois, sauf si la touche START/PAUSE (départ/pause) est enfoncée pour voir le prochain code).	L'alarme sonore sera synchronisée à la séquence de clignotement DEL.	Configuration du logiciel	Mauvaises données MCF (fichier de configuration de l'appareil) entrées; microprocesseur corrompu	Remplacez le tableau de commande électronique principal et essayez à nouveau.
E94	<u>Séquence de clignotement DEL :</u> 1. 0,5 s marche, 0,5 s arrêt; 9 répétitions (affiche les dixièmes du code d'erreur). 2. Pause de 2 s. 3. 0,5 s. marche, 0,5 s arrêt; 4 répétitions (affiche les unités du code d'erreur). 4. Pause de 5 s. 5. Répétitions (255 fois, sauf si la touche START/PAUSE (départ/pause) est enfoncée pour voir le prochain code).	L'alarme sonore sera synchronisée à la séquence de clignotement DEL.	Configuration du logiciel	Mauvaises données MCF (fichier de configuration de l'appareil) entrées; microprocesseur corrompu	Remplacez le tableau de commande électronique principal et essayez à nouveau.

Code d'erreur affiché sur 7-segment ^{***} (certains modèles seulement)	Code d'erreur affiché sur la DEL d'état ¹¹ (certains modèles seulement)	Code d'erreur activé par alarme sonore ²²	Erreur	Conditions d'erreur possibles	Solutions possibles
E97	Séquence de clignotement DEL : 1. 0,5 s marche, 0,5 s arrêt; 9 répétitions (affiche les dixièmes du code d'erreur). 2. Pause de 2 s. 3. 0,5 s marche, 0,5 s arrêt; 7 répétitions (affiche les unités du code d'erreur). 4. Pause de 5 s. 5. Répétitions (255 fois, sauf si la touche START/PAUSE (départ/pause) est enfoncée pour voir le prochain code).	L'alarme sonore sera synchronisée à la séquence de clignotement DEL.	Configuration du logiciel	Mauvaises données MCF (fichier de configuration de l'appareil) entrées; microprocesseur corrompu	Remplacez le tableau de commande électronique principal et essayez à nouveau.
EA1	Séquence de clignotement DEL : 1. 0,5 s marche, 0,5 s arrêt; 10 répétitions (affiche les dixièmes du code d'erreur). 2. Pause de 2 s. 3. 0,5 s marche, 0,5 s arrêt; 1 répétition (affiche les unités du code d'erreur). 4. Pause de 5 s. 5. Répétitions (255 fois, sauf si la touche START/PAUSE (départ/pause) est enfoncée pour voir le prochain code).	L'alarme sonore sera synchronisée à la séquence de clignotement DEL.	Fréquence de ligne	Fréquence de ligne (Lf) hors limite (54 Hz < Lf < 46 Hz pour système 50 Hz, et 64 Hz < Lf < 56 Hz pour système 60 Hz); microprocesseur corrompu; tableau principal	Si Lf est hors limite, mentionnez-le au client. Sinon, remplacez le tableau de commande électronique et essayez à nouveau.
EA2	Séquence de clignotement DEL : 1. 0,5 s marche, 0,5 s arrêt; 10 répétitions (affiche les dixièmes du code d'erreur). 2. Pause de 2 s. 3. 0,5 s. marche, 0,5 s arrêt; 2 répétitions (affiche les unités du code d'erreur). 4. Pause de 5 s. 5. Répétitions (255 fois, sauf si la touche START/PAUSE (départ/pause) est enfoncée pour voir le prochain code).	L'alarme sonore sera synchronisée à la séquence de clignotement DEL.	Ligne d'alimentation (High_Line)	MAIN_V > 264 VRMS (système 240 V); > 138 VRMS (système 120 V); microprocesseur corrompu; tableau principal	Vérifiez la tension c.a. d'entrée. Si elle est trop élevée, mentionnez-le au client et essayez de redémarrer la sècheuse. Si la sècheuse ne démarre pas, remplacez le tableau de commande électronique et essayez à nouveau.
EA3	Séquence de clignotement DEL : 1. 0,5 s marche, 0,5 s arrêt; 10 répétitions (affiche les dixièmes du code d'erreur). 2. Pause de 2 s. 3. 0,5 s. marche, 0,5 s arrêt; 3 répétitions (affiche les unités du code d'erreur). 4. Pause de 5 s. 5. Répétitions (255 fois, sauf si la touche START/PAUSE (départ/pause) est enfoncée pour voir le prochain code).	L'alarme sonore sera synchronisée à la séquence de clignotement DEL.	Basse tension (Low_Line)	MAIN_V < 180 VRMS (système 240 V); < 90 VRMS (système 120 V); microprocesseur corrompu; tableau principal	Vérifiez la tension c.a. d'entrée. Si elle est trop basse, mentionnez-le au client et essayez de redémarrer la sècheuse. Si la sècheuse ne démarre pas, remplacez le tableau de commande électronique et essayez à nouveau.
EA5	Séquence de clignotement DEL : 1. 0,5 s marche, 0,5 s arrêt; 10 répétitions (affiche les dixièmes du code d'erreur). 2. Pause de 2 s. 3. 0,5 s marche, 0,5 s arrêt; 5 répétitions (affiche les unités du code d'erreur). 4. Pause de 5 s. 5. Répétitions (255 fois, sauf si la touche START/PAUSE (départ/pause) est enfoncée pour voir le prochain code).	L'alarme sonore sera synchronisée à la séquence de clignotement DEL.	Défaillance du détecteur d'amplitude d'alimentation sur la carte principale	Tableau principal; microprocesseur corrompu; logiciel	Remplacez le tableau de commande électronique et essayez à nouveau.

^{***} « E » sera affiché pendant 0,5 s et « error-code number » (numéro de code d'erreur) pendant 1 s. Cette séquence sera répétée 255 fois si la touche START/PAUSE (départ/pause) n'est pas enfoncée pour passer aux prochains codes d'erreur.

¹¹ Avec chaque pression de la touche START/PAUSE (départ/pause), les codes d'erreur subséquents seront affichés jusqu'à ce que le dernier code soit atteint, puis cette séquence sera répétée.

²² Avec chaque pression de la touche START/PAUSE (départ/pause), les codes d'erreur subséquents seront « bipés » jusqu'à ce que le dernier code soit atteint, puis cette séquence sera répétée.

Hoja técnica de secadora

Esta información está destinada exclusivamente a los técnicos calificados.

PRECAUCION: A MENOS QUE SE INDIQUE LO CONTRARIO, DESCONECTE LA CORRIENTE ELECTRICA ANTES DE DAR SERVICIO.

Por favor regrese esta hoja al producto para referencia futura.

TABLA DE SIGLAS

CW - sentido horario

CCW - sentido antihorario

ENCENDIDO EN FRÍO - Cuando se enciende la unidad por primera vez.

UI - tablero de LED central/interfaz del usuario.

FSD - secadora portátil.

LC - centro de lavado.

NO - normalmente abierto

NTC - coeficiente negativo de temperature

MCF - archivo de configuración del equipo

MODO DE DIAGNÓSTICO

1. Coloque la perilla de selección de ciclos en la posición 0 (12 en punto).
2. Coloque el selector de temperatura en la posición alta/normal.
3. Coloque el selector de nivel de secado (en algunos modelos únicamente) en la posición "Extra/Very Dry" (extra seco o muy seco).
4. Mantenga presionada la perilla de selección de ciclos durante 6 segundos para restablecer completamente el control Q desenchufe el cordón eléctrico, espere de 5 a 8 segundos, luego vuelva a enchufar el cordón eléctrico Q realice el encendido en frío.
5. A los 15 segundos de haber reiniciado (o encendido), con el selector de nivel de secado (si está instalado) en la posición "High" (alta), gire el selector de ciclo al ciclo "Casual", gire el selector de temperatura a la posición de más a la izquierda (la temperatura más alta disponible) y luego oprima y libere la perilla de selección del ciclo. Al escuchar una señal sonora corta, gire la perilla de temperatura a la posición de más a la derecha (temperatura más baja disponible) y oprima y libere la perilla de selección del ciclo. Al escuchar otra señal sonora corta, gire la perilla de temperatura a la posición de más a la izquierda (temperatura más alta disponible) y oprima y libere la perilla de selección del ciclo. Esto emitirá una señal sonora de dos segundos para indicar que la unidad está en el modo de prueba de línea.

NOTA: si no se puede ingresar el modo de diagnóstico aún luego de haber seguido los pasos correctamente: 1 a 4, verifique el cableado y los conectores de borde, es decir el J7 (LC-tablero principal), J7A (FSD-tablero de UI), J8 (LC-tablero principal), J8A (FSD-tablero de UI), J10 (LC y FSD-tablero principal), J10A (FSD-tablero de UI) y J9 (FSD-tablero de UI) y los conectores de borde o el cableado para el codificador de nivel de secado y selector de ciclos. Si aún no se ingresa al modo de diagnóstico, reemplácelos e inténtelo de nuevo. Si eso no resuelve el problema, reemplace la UI (FSD) y/o el tablero principal (UI y FSD) e inténtelo de nuevo.

6. Se puede girar la perilla de selección de ciclos hacia la derecha para recorrer los pasos siguientes.

TABLA: 1- MODO DE PRUEBA EN LÍNEA DE FÁBRICA.

Modo de diagnóstico (todas las posiciones del selector de ciclos de esta tabla giran en sentido horario desde la posición 0)				
Posición del selector	Posiciones del codificador	Componentes de prueba o activados	Control del usuario	Pantalla digital
0	N/D	Prueba de los LED de estado/7 segmentos (en algunos modelos) o de la alarma	Funcionamiento normal: Alarma: 1 segundo encendida, 1 segundo apagada. Se repite 255 veces**. LED encendidos: siguen el mismo patrón que la alarma.	Igual que el LED
1	N/D	Prueba de NTC (coeficiente negativo de temperatura)	Verifique el siguiente patrón de alarma/LED. A) Funcionamiento normal: 3 seg. enc., 1 seg. apag., 1 seg. enc., 1 seg. apag., se repite 255 veces**. B) NTC abierto: 0,25 seg. enc., 0,25 seg. apag., se repite 255 veces**. C) NTC corto: 0,25 seg. enc., 0,25 seg. apag., 0,25 seg. enc., 3 seg. apag., se repite 255 veces**.	Igual que el LED

Posición del selector	Posiciones del codificador	Componentes de prueba o activados	Control del usuario	Pantalla digital
2	Selector de temp.: Media/normal Interruptores de alternativos (en algunos modelos): ENCENDIDO	Motor + calentador	Verifique la función del motor y del calentador. LED encendidos: Secado y enfriamiento encendidos.	N/D
3	A) Selector de temp.: baja B) Interruptores alternativos (en algunos modelos): APAGADO C) Posiciones del selector del nivel de secado (en algunos modelos): 1- Máx./Alto/Extra seco 2- Alto/Normal/Más seco 3- Normal/Bajo/Secado normal 4- Bajo/Secado húmedo 5- Húmedo	Sensor de contacto (el usuario podrá verificar únicamente "1", en modelos que tienen sensores de contacto pero ningún selector del nivel de secado)	Sensor de contacto en cortocircuito: Alarma/LED activos Sensor de contacto abierto: Alarma/LED inactivos Posición del selector del nivel de secado: 1. Alarma continua: 655 seg. enc., 0,25 seg. apag., se repite 255 veces**; el mismo patrón que el LED.(Nota: en los modelos sin un selector de nivel de secado, esta será la única secuencia disponible) 2. 1 seg. enc., 3 seg. apag., se repite 255 veces**; el mismo patrón del LED. 3. 1 seg. enc., 1 seg. apag., 1 seg. enc., 3 seg. apag., se repite 255 veces**, el mismo patrón que el LED. 4. 1 seg. enc., 1 seg. apag., 1 seg. enc., 1 seg. apag., 1 seg. enc., 3 seg. apag., se repite 255 veces**, el mismo patrón que el LED. 5. 1 seg. enc., 1 seg. apag., 1 seg. enc., 1 seg. apag., 1 seg. enc., 1 seg. apag., 1 seg. enc., 3 seg. apag., se repite 255 veces**, el mismo patrón que el LED.	Igual que el LED
4	N/D	Código de error en la pantalla	Verifique los códigos de error (consulte la siguiente tabla para ver las definiciones de los códigos de error).	Código de error

** La secuencia de repetición se interrumpirá automáticamente después de 255 veces. Para actualizar el contador, cambie el selector de ciclos a una posición diferente, mientras continúa en modo de diagnóstico, y vuelva a la posición inicial seleccionada.

7. Para salir del modo de diagnóstico:

- Desenchufe el cordón eléctrico, espere de 5 a 8 segundos y, a continuación, vuelva a conectar el cordón eléctrico, O BIEN
- Mantenga presionada la perilla de selección de ciclos durante 6 segundos para restablecer completamente el control.
- Si transcurre 30 minutos sin que se realicen cambios en la interfaz del usuario, se saldrá automáticamente del modo de diagnóstico.

LECTURA DE CÓDIGOS DE ERROR

- Los códigos de error se pueden ver únicamente en el modo de diagnóstico y cuando el selector de ciclos se encuentra en la posición – 4 (vea la tabla del modo de diagnóstico).
- Primero se mostrará el último código de error registrado.
- Se debe oprimir el botón "Start/Pause" (encendido/pausa) para ver los últimos 5 códigos de error registrados o para recorrerlos.
- Para borrar los códigos de error: Mantenga presionada la perilla de selección de ciclos durante 3 segundos.
- El código de error aparecerá en la pantalla (en algunos modelos únicamente) con una "#E" seguida de dos números. El destello de las luces LED o la secuencia de señales sonoras serán según se muestra en la siguiente tabla.

NOTA:

- 1E seguido por los números significa que es el primer código de error registrado. 2E seguido semejantemente por los números, significa que es el segundo código de error registrado y así sucesivamente.
- 1E con 5E- seguido por dos ceros (1E-> 00, 2E-> 00... etc... para los modelos con dígito-exhibidor) y NO LED que destella y NO Beeper, significa ninguna falla detectada/ninguna falla registrada.

TABLA: 2- TABLA DE CÓDIGOS DE ERROR Y MÉTODO DE PANTALLA/COMUNICACIÓN.

Código de error visualizado en 7 segmentos ^{A**A} (en algunos modelos únicamente)	Código de error visualizado en el LED ¹ de estado (en algunos modelos únicamente)	Código de error que suena por el zumbador ²²	Falla	Posibles condiciones de falla	Soluciones posibles
E31	Secuencia de destello del LED: 1. 0,5 seg. enc.; 0,5 seg. apag., 3 veces (muestra las 'décimas' del código de error). 2. 2 seg. de pausa. 3. 0,5 seg. enc.; 0,5 seg. apag., 1 vez (muestra las 'unidades' del código de error). 4. 5 seg. de pausa. 5. Repetir (255 veces a menos que se oprima "Start/Pause" [encendido/pausa] para ver el código siguiente).	Se sincronizará el zumbador con la secuencia de destello del LED.	Sensores de humedad (para modelos con barras de humedad únicamente)	El tablero principal es defectuoso, cortocircuito entre las barras de humedad, cableado abierto, barras en contacto con la partición, objeto extraño que interfiere con los sensores de contacto.	Controle los sensores de contacto para verificar objetos extraños y el cableado. Si no se encuentra ningún problema en los sensores de contacto, verifique el cableado (conecte rápidamente en las barras de humedad y/o en el conector de borde J3). Si eso no soluciona el problema, reemplace el tablero de control electrónico e inténtelo de nuevo.
E41	Secuencia de destello del LED: 1. 0,5 seg. enc.; 0,5 seg. apag., 4 veces (muestra las 'décimas' del código de error). 2. 2 seg. de pausa. 3. 0,5 seg. enc.; 0,5 seg. apag., 1 vez (muestra las 'unidades' del código de error). 4. 5 seg. de pausa. 5. Repetir (255 veces a menos que se oprima "Start/Pause" [encendido/pausa] para ver el código siguiente).	Se sincronizará el zumbador con la secuencia de destello del LED.	Puerta abierta	La puerta está abierta cuando el ciclo comienza, cableado, interruptor de la puerta	Cierre la puerta firmemente y reinicie la secadora. Si el error aún persiste, verifique el interruptor de la puerta, el cableado (los conectores para J2_1, el interruptor de la puerta COM y NA). Si no encuentra ningún problema, reemplace el tablero de control electrónico.
E51	Secuencia de destello del LED: 1. 0,5 seg. enc.; 0,5 seg. apag., 5 veces (muestra las 'décimas' del código de error). 2. 2 seg. de pausa. 3. 0,5 seg. enc.; 0,5 seg. apag., 1 vez (muestra las 'unidades' del código de error). 4. 5 seg. de pausa. 5. Repetir (255 veces a menos que se oprima "Start/Pause" [encendido/pausa] para ver el código siguiente).	Se sincronizará el zumbador con la secuencia de destello del LED.	Relé del motor/Limitador térmico/Rotor bloqueado/Interruptor centrífugo del motor 1/Conector/Suministro eléctrico bajo	Relé del motor atascado y abierto; rotor bloqueado; conector; suministro eléctrico bajo, limitador térmico 1 abierto, interruptor centrífugo 1 del motor atascado y abierto o cerrado	Encienda la secadora y calcule la continuidad entre J2_1 y J2_2. Si no hay continuidad, reemplace el tablero de control. Si no encuentra ningún problema con el relé del motor, verifique el limitador térmico 1; el motor; el cableado (los conectores del motor: M4, M5 y M6; y los conectores J2_1 y J2_2 y los conectores del limitador térmico 1). Si no encuentra ningún problema, inténtelo con un tablero de control electrónico nuevo.
E52	Secuencia de destello del LED: 1. 0,5 seg. enc.; 0,5 seg. apag., 5 veces (muestra las 'décimas' del código de error). 2. 2 seg. de pausa. 3. 0,5 seg. enc.; 0,5 seg. apag., 2 veces (muestra las 'unidades' del código de error). 4. 5 seg. de pausa. 5. Repetir (255 veces a menos que se oprima "Start/Pause" [encendido/pausa] para ver el código siguiente).	Se sincronizará el zumbador con la secuencia de destello del LED.	Relé del motor	Relé del motor atascado y cerrado; tablero principal	Quite el conector J1 para desconectar el suministro eléctrico de la secadora y calcule la continuidad entre J2_1 y J2_2. Si hay continuidad, reemplace el tablero de control electrónico. De lo contrario, desconecte el conector J1 (mientras el conector J2 sigue abierto) y vea si el contacto del relé del motor (RL2 o RL1) se cierra automáticamente. En tal caso, reemplace el tablero de control electrónico.
E53	Secuencia de destello del LED: 1. 0,5 seg. enc.; 0,5 seg. apag., 5 veces (muestra las 'décimas' del código de error). 2. 2 seg. de pausa. 3. 0,5 seg. enc.; 0,5 seg. apag., 3 veces (muestra las 'unidades' del código de error). 4. 5 seg. de pausa. 5. Repetir (255 veces a menos que se oprima "Start/Pause" [encendido/pausa] para ver el código siguiente).	Se sincronizará el zumbador con la secuencia de destello del LED.	Falla del motor, motor detenido en la mitad de un ciclo	Protector del motor abierto; carga de la lavadora muy pesada; cableado	Vacíe el tambor y reinicie la secadora. Si la unidad reinicia normalmente, elimine el error. Si la unidad no se reinicia, verifique la continuidad del limitador térmico 1. Si no encuentra problemas, verifique el diagrama del cableado (conectores J2, conectores del motor, conectores del interruptor de la puerta). Si todo está bien, verifique que el interruptor de la puerta funcione normalmente. Si no encuentra ningún problema, cambie el tablero. Si el problema aún persiste, cambie el motor e inténtelo de nuevo.

Código de error visualizado en 7 segmentos ^{^*^} (en algunos modelos)	Código de error visualizado en el LED ¹¹ de estado (en algunos modelos únicamente)	Código de error que suena por el zumbador ²²	Falla	Posibles condiciones de falla	Soluciones posibles
E54	Secuencia de destello del LED: 1. 0,5 seg. enc.; 0,5 seg. apag., 5 veces (muestra las 'décimas' del código de error). 2. 2 seg. de pausa. 3. 0,5 seg. enc.; 0,5 seg. apag., 4 veces (muestra las 'unidades' del código de error). 4. 5 seg. de pausa. 5. Repetir (255 veces a menos que se oprima "Start/Pause" [encendido/pausa] para ver el código siguiente).	Se sincronizará el zumbador con la secuencia de destello del LED.	Interruptor centrífugo 2/ Calentador/ Limitador térmico 2/cableado	Interruptor centrífugo 2 atascado y abierto (únicamente eléctricos domésticos); calentador abierto o en cortocircuito a tierra/limitador térmico 2 abierto (únicamente ELÉCTRICOS domésticos); interruptor centrífugo 2 atascado y cerrado (ELÉCTRICO doméstico únicamente); cableado	Voltee la secadora y verifique la continuidad entre M1 y M2 del motor. Si hay continuidad, reemplace el motor. Caso contrario, encienda la secadora y verifique la continuidad entre M1 y M2 del motor, si esta es inexistente reemplace el motor. Verifique que el elemento calefactor con conexión a tierra o armazón no esté en cortocircuito; si lo está, reemplace el elemento calefactor. Si encuentra el calentador en cortocircuito, verifique que no haya obstrucciones en el elemento calefactor. Si se encuentra abierto, reemplace el calentador. Si se encuentra en buen funcionamiento, verifique la continuidad del limitador térmico 2. Si se encuentra abierto, replácelo, si está en buen estado, verifique el cableado (los conectores de cableado para el relé del calentador, NA, COM; conectores del limitador térmico 2, conectores del motor: M1 y M2; conectores del elemento calefactor). Si todo lo mencionado anteriormente se encuentra en buen funcionamiento, reemplace el tablero de control e inténtelo de nuevo.
E55	Secuencia de destello del LED: 1. 0,5 seg. enc.; 0,5 seg. apag., 5 veces (muestra las 'décimas' del código de error). 2. 2 seg. de pausa. 3. 0,5 seg. enc.; 0,5 seg. apag., 5 veces (muestra las 'unidades' del código de error). 4. 5 seg. de pausa. 5. Repetir (255 veces a menos que se oprima "Start/Pause" [encendido/pausa] para ver el código siguiente).	Se sincronizará el zumbador con la secuencia de destello del LED.	Falla en los sensores del motor del tablero principal/ Calentador/ Limitador térmico 2/cableado	Tablero principal defectuoso	Reemplace el tablero de control electrónico e inténtelo de nuevo.
E56	Secuencia de destello del LED: 1. 0,5 seg. enc.; 0,5 seg. apag., 5 veces (muestra las 'décimas' del código de error). 2. 2 seg. de pausa. 3. 0,5 seg. enc.; 0,5 seg. apag., 6 veces (muestra las 'unidades' del código de error). 4. 5 seg. de pausa. 5. Repetir (255 veces a menos que se oprima "Start/Pause" [encendido/pausa] para ver el código siguiente).	Se sincronizará el zumbador con la secuencia de destello del LED.	Correa	Correa rota o floja	Verifique la correa. Reemplace la correa si está rota o floja.
E61	Secuencia de destello del LED: 1. 0,5 seg. enc.; 0,5 seg. apag., 6 veces (muestra las 'décimas' del código de error). 2. 2 seg. de pausa. 3. 0,5 seg. enc.; 0,5 seg. apag., 1 vez (muestra las 'unidades' del código de error). 4. 5 seg. de pausa. 5. Repetir (255 veces a menos que se oprima "Start/Pause" [encendido/pausa] para ver el código siguiente).	Se sincronizará el zumbador con la secuencia de destello del LED.	Falla del relé del calentador	Relé del calentador defectuoso, atascado y abierto o cerrado.	Desconecte el suministro eléctrico (quite J1). Si hay continuidad entre el relé del calentador, NA y COM, reemplace el tablero principal. Si se encuentra en buen funcionamiento, seleccione cualquier configuración de temperatura que no sea "Air-Fluff" (esponjado con aire), encienda la secadora y verifique la continuidad entre el relé del calentador, NA y COM. Si no hay continuidad, reemplace el tablero principal e inténtelo de nuevo.
E62	Secuencia de destello del LED: 1. 0,5 seg. enc.; 0,5 seg. apag., 6 veces (muestra las 'décimas' del código de error). 2. 2 seg. de pausa. 3. 0,5 seg. enc., 0,5 seg. apag., 2 veces (muestra las 'unidades' del código de error). 4. 5 seg. de pausa. 5. Repetir (255 veces a menos que se oprima "Start/Pause" [encendido/pausa] para ver el código siguiente).	Se sincronizará el zumbador con la secuencia de destello del LED.	Temporizador del calentamiento	Limitador térmico 2 abierto (GAS doméstico únicamente y eléctrico internacional únicamente)	Verifique que no haya obstrucciones en la ventilación; NTC; limitador térmico 2, cableado

Código de error visualizado en 7 segmentos ^{^*^} (en algunos modelos únicamente)	Código de error visualizado en el LED ¹¹ de estado (en algunos modelos únicamente)	Código de error que suena por el zumbador ²²	Falla	Posibles condiciones de falla	Soluciones posibles
E65	Secuencia de destello del LED: 1. 0,5 seg. enc.; 0,5 seg. apag., 6 veces (muestra las 'décimas' del código de error). 2. 2 seg. de pausa. 3. 0,5 seg. enc.; 0,5 seg. apag., 5 veces (muestra las 'unidades' del código de error). 4. 5 seg. de pausa. 5. Repetir (255 veces a menos que se oprima "Start/Pause" [encendido/pausa] para ver el código siguiente).	Se sincronizará el zumbador con la secuencia de destello del LED.	Límite superior del contador del termostato demasiado alto	Obstrucción excesiva en los conductos de extracción; termostato de límite superior defectuoso; cableado	Verifique si hay obstrucciones en la ventilación, quite la obstrucción e inténtelo de nuevo. Verifique que el NTC funcione normalmente, en caso de ser defectuoso, reemplace el NTC e inténtelo de nuevo. Verifique si hay fugas de aire excesivas. Cableado (fastón/conexión para el NTC y en el conector de borde J4). Si se encuentra en buen estado, reemplace el tablero de control principal e inténtelo de nuevo.
E67	Secuencia de destello del LED: 1. 0,5 seg. enc.; 0,5 seg. apag., 6 veces (muestra las 'décimas' del código de error). 2. 2 seg. de pausa. 3. 0,5 seg. enc.; 0,5 seg. apag., 7 veces (muestra las 'unidades' del código de error). 4. 5 seg. de pausa. 5. Repetir (255 veces a menos que se oprima "Start/Pause" [encendido/pausa] para ver el código siguiente).	Se sincronizará el zumbador con la secuencia de destello del LED.	Falla en los sensores del calentador del tablero principal	Tablero principal defectuoso	Reemplace el tablero de control electrónico e inténtelo de nuevo.
E71	Secuencia de destello del LED: 1. 0,5 seg. enc.; 0,5 seg. apag., 7 veces (muestra las 'décimas' del código de error). 2. 2 seg. de pausa. 3. 0,5 seg. enc.; 0,5 seg. apag., 1 vez (muestra las 'unidades' del código de error). 4. 5 seg. de pausa. 5. Repetir (255 veces a menos que se oprima "Start/Pause" [encendido/pausa] para ver el código siguiente).	Se sincronizará el zumbador con la secuencia de destello del LED.	Falla del NTC	Circuito abierto del NTC; cableado; tablero principal	Verifique el NTC para conocer la impedancia normal a temperatura ambiente (debe ser de 50 K a 25 °C +/- 5%), si se detecta un valor inválido, reemplace el NTC e inténtelo de nuevo. Si se encuentra en buen funcionamiento, verifique el cableado (fastones en la conexión NTC y el cableado/conector de borde J4). Si se encuentra en buen funcionamiento, reemplace el tablero de control electrónico e inténtelo de nuevo.
E72	Secuencia de destello del LED: 1. 0,5 seg. enc.; 0,5 seg. apag., 7 veces (muestra las 'décimas' del código de error). 2. 2 seg. de pausa. 3. 0,5 seg. enc., 0,5 seg. apag., 2 veces (muestra las 'unidades' del código de error). 4. 5 seg. de pausa. 5. Repetir (255 veces a menos que se oprima "Start/Pause" [encendido/pausa] para ver el código siguiente).	Se sincronizará el zumbador con la secuencia de destello del LED.	Falla del NTC	Circuito cerrado del NTC; cableado; tablero principal	Verifique el NTC para conocer la impedancia normal a temperatura ambiente (debe ser de 50 K a 25 °C +/- 5%), si se detecta un valor inválido, reemplace el NTC e inténtelo de nuevo. Si se encuentra en buen funcionamiento, verifique el cableado (fastones en la conexión NTC y el cableado/conector de borde J4). Si se encuentra en buen funcionamiento, reemplace el tablero de control electrónico e inténtelo de nuevo.
E81	Secuencia de destello del LED: 1. 0,5 seg. enc.; 0,5 seg. apag., 8 veces (muestra las 'décimas' del código de error). 2. 2 seg. de pausa. 3. 0,5 seg. enc.; 0,5 seg. apag., 1 vez (muestra las 'unidades' del código de error). 4. 5 seg. de pausa. 5. Repetir (255 veces a menos que se oprima "Start/Pause" [encendido/pausa] para ver el código siguiente).	Se sincronizará el zumbador con la secuencia de destello del LED.	Selector de programa/codificador	Tablero principal; cableado; selector de ciclos/codificador; software	Verifique el cableado (en los conectores de borde: J7;J8;J10) si se encuentra en buen estado, reemplace los codificadores y el selector de ciclos e inténtelo de nuevo. Si el problema aún persiste, cambie el tablero principal e inténtelo de nuevo.

Código de error visualizado en 7 segmentos ^{^*^} (en algunos modelos únicamente)	Código de error visualizado en el LED ¹¹ de estado (en algunos modelos únicamente)	Código de error que suena por el zumbador ²²	Falla	Posibles condiciones de falla	Soluciones posibles
E82	Secuencia de destello del LED: 1. 0,5 seg. enc.; 0,5 seg. apag., 8 veces (muestra las 'décimas' del código de error). 2. 2 seg. de pausa. 3. 0,5 seg. enc.; 0,5 seg. apag., 2 veces (muestra las 'unidades' del código de error). 4. 5 seg. de pausa. 5. Repetir (255 veces a menos que se oprima "Start/Pause" [encendido/pausa] para ver el código siguiente).	Se sincronizará el zumbador con la secuencia de destello del LED.	Tecla atascada	Error de tecla atascada; cableado; selector de ciclos; tablero principal; software	Quite la perilla del selector de ciclos y reinicie la secadora. Si el problema aún persiste, verifique el cableado (en el conector de borde J10). Si se encuentra en buen estado, reemplace el selector de ciclos e inténtelo de nuevo. Si el problema aún persiste, cambie el tablero electrónico principal e inténtelo de nuevo.
E93	Secuencia de destello del LED: 1. 0,5 seg. enc.; 0,5 seg. apag., 9 veces (muestra las 'décimas' del código de error). 2. 2 seg. de pausa. 3. 0,5 seg. enc.; 0,5 seg. apag., 3 veces (muestra las 'unidades' del código de error). 4. 5 seg. de pausa. 5. Repetir (255 veces a menos que se oprima "Start/Pause" [encendido/pausa] para ver el código siguiente).	Se sincronizará el zumbador con la secuencia de destello del LED.	Configuración del software	Datos del archivo de configuración del equipo (MCF) cargados incorrectamente; microprocesador dañado	Reemplace el tablero de control electrónico principal e inténtelo de nuevo.
E94	Secuencia de destello del LED: 1. 0,5 seg. enc.; 0,5 seg. apag., 9 veces (muestra las 'décimas' del código de error). 2. 2 seg. de pausa. 3. 0,5 seg. enc.; 0,5 seg. apag., 4 veces (muestra las 'unidades' del código de error). 4. 5 seg. de pausa. 5. Repetir (255 veces a menos que se oprima "Start/Pause" [encendido/pausa] para ver el código siguiente).	Se sincronizará el zumbador con la secuencia de destello del LED.	Configuración del software	Datos del archivo de configuración del equipo (MCF) cargados incorrectamente; microprocesador dañado	Reemplace el tablero de control electrónico principal e inténtelo de nuevo.
E97	Secuencia de destello del LED: 1. 0,5 seg. enc.; 0,5 seg. apag., 9 veces (muestra las 'décimas' del código de error). 2. 2 seg. de pausa. 3. 0,5 seg. enc.; 0,5 seg. apag., 7 veces (muestra las 'unidades' del código de error). 4. 5 seg. de pausa. 5. Repetir (255 veces a menos que se oprima "Start/Pause" [encendido/pausa] para ver el código siguiente).	Se sincronizará el zumbador con la secuencia de destello del LED.	Configuración del software	Datos del archivo de configuración del equipo (MCF) cargados incorrectamente; microprocesador dañado	Reemplace el tablero de control electrónico principal e inténtelo de nuevo.
EA1	Secuencia de destello del LED: 1. 0,5 seg. enc.; 0,5 seg. apag., 10 veces (muestra las 'décimas' del código de error). 2. 2 seg. de pausa. 3. 0,5 seg. enc.; 0,5 seg. apag., 1 vez (muestra las 'unidades' del código de error). 4. 5 seg. de pausa. 5. Repetir (255 veces a menos que se oprima "Start/Pause" [encendido/pausa] para ver el código siguiente).	Se sincronizará el zumbador con la secuencia de destello del LED.	Frecuencia de la línea	Frecuencia de la línea (FI) fuera de los límites (54 Hz<FI<46 Hz para un sistema de 50 Hz y 64 Hz<FI<56 Hz para un sistema de 60 Hz); microprocesador dañado; tablero principal	Si la FI supera los límites, infórmele al cliente. De lo contrario, reemplace el tablero de control electrónico e inténtelo de nuevo.

Código de error visualizado en 7 segmentos ^{^^^} (en algunos modelos únicamente)	Código de error visualizado en el LED ¹¹ de estado (en algunos modelos únicamente)	Código de error que suena por el zumbador ²²	Falla	Posibles condiciones de falla	Soluciones posibles
EA2	<u>Secuencia de destello del LED:</u> 1. 0,5 seg. enc.; 0,5 seg. apag., 10 veces (muestra las 'décimas' del código de error). 2. 2 seg. de pausa. 3. 0,5 seg. enc.; 0,5 seg. apag., 2 veces (muestra las 'unidades' del código de error). 4. 5 seg. de pausa. 5. Repetir (255 veces a menos que se oprima "Start/Pause" [encendido/pausa] para ver el código siguiente).	Se sincronizará el zumbador con la secuencia de destello del LED.	Línea_alta	PRINCIPAL_V>264 Vrms (sistema de 240 V);> 138 Vrms (sistema de 120 V); microprocesador dañado; tablero principal	Verifique el voltaje CA principal. Si es demasiado alto, infórmeselo al cliente e intente reiniciar la secadora. Si esta no se enciende, reemplace el tablero de control electrónico e inténtelo de nuevo.
EA3	<u>Secuencia de destello del LED:</u> 1. 0,5 seg. enc.; 0,5 seg. apag., 10 veces (muestra las 'décimas' del código de error). 2. 2 seg. de pausa. 3. 0,5 seg. enc.; 0,5 seg. apag., 3 veces (muestra las 'unidades' del código de error). 4. 5 seg. de pausa. 5. Repetir (255 veces a menos que se oprima "Start/Pause" [encendido/pausa] para ver el código siguiente).	Se sincronizará el zumbador con la secuencia de destello del LED.	Línea_baja	PRINCIPAL_V<180 Vrms (sistema de 240 V);< 90 Vrms (sistema 120 V); microprocesador dañado; tablero principal	Verifique el voltaje CA principal. Si es demasiado bajo, infórmeselo al cliente e intente reiniciar la secadora. Si esta no se enciende, reemplace el tablero de control electrónico e inténtelo de nuevo.
EA5	<u>Secuencia de destello del LED:</u> 1. 0,5 seg. enc.; 0,5 seg. apag., 10 veces (muestra las 'décimas' del código de error). 2. 2 seg. de pausa. 3. 0,5 seg. enc.; 0,5 seg. apag., 5 veces (muestra las 'unidades' del código de error). 4. 5 seg. de pausa. 5. Repetir (255 veces a menos que se oprima "Start/Pause" [encendido/pausa] para ver el código siguiente).	Se sincronizará el zumbador con la secuencia de destello del LED.	Falla en los sensores de amplitud de línea en el tablero principal	Tablero principal; microprocesador dañado; software	Reemplace el tablero de control electrónico e inténtelo de nuevo.

^{^^^} "E" aparecerá en la pantalla durante 0,5 seg. y un "número de código de error" por 1 seg. Esta secuencia se repetirá 255 veces si no se oprime "Start/Pause"

[encendido/pausa] para ver los siguientes códigos de error.

¹¹ Cada vez que se oprima el botón "Start/Pause" (encendido/pausa), aparecerán los siguientes códigos de error hasta que aparezca el último código de error registrado y luego se repite esta secuencia.

²² Cada vez que se oprima el botón "Start/Pause" (encendido/pausa), "sonarán" los siguientes códigos de error hasta que aparezca el último código de error registrado y luego se repite esta secuencia.

Laundry Center Washer Tech Data Sheet

This information is intended for Qualified Technicians Only.

CAUTION: UNLESS OTHERWISE DIRECTED, DISCONNECT ELECTRICAL CURRENT BEFORE SERVICING

Please Return This Sheet to the Product for Future Reference

Contents	Page
Reading Error Codes.....	21
Diagnostics.....	22
Error Code Chart.....	23
Tests.....	24-25
Français.....	26-31
Español	32-37
Wiring Diagram.....	40

Acronyms:

CW - Clockwise

CCW - Counter Clockwise

Cold Power On- Unit plugged in for the first time

READING ERROR CODES

1. To read error codes, please enter Diagnostic Mode (see below on how to enter this mode).
2. Last recorded error code will be displayed first.
3. Start/Pause/Cancel button should be pressed momentarily (any time less than 1sec) to cycle through the last 5 error codes recorded.
4. E00 signifies no error code and is accompanied by no buzzer beeps and no LED flashes.
5. To clear all error codes, press and hold the Start/Pause/Cancel button for a duration ≥ 4 secs.

Error Code Display Method		
If Buzzer equipped	Main Board Diagnostic LED	If Estimated Time Remaining Display equipped
<p>1. Buzzer beeps the same number of times as the first digit of the error code (0.5sec on / 0.5sec off). For example: If first digit is 3, buzzer sequence will be 0.5sec on / 0.5sec off / 0.5sec on / 0.5sec off / 0.5sec on / 0.5sec off. A, B, C, D, E, F corresponds to buzzer digit readings of 10, 11, 12, 13, 14, 15 respectively.</p>	<p>1. Main Board Diagnostic LED will flash the same number of times as the first digit of the error code (0.5sec on / 0.5sec off). After a brief pause, the same Main Board Diagnostic LED will then flash the same number of times as the second digit of the error code (0.5 sec on / 0.5 sec off). For example: If first digit is 3, the LED sequence will be 0.5 sec on / 0.5 sec off / 0.5 sec on / 0.5 sec off / 0.5 sec on / 0.5 sec off. A, B, C, D, E, F corresponds to LED digit readings of 10, 11, 12, 13, 14, 15 respectively.</p>	<p>1. Only the error number will display as the two digits. E will not be displayed. For example: For error code E5C, the segment display will read 5C.</p>
<p>2. Buzzer stays silent for 2secs.</p>	<p>2. LED stays off for 2 secs.</p>	<p>2. The error code display will stay on until the Start/Pause/Cancel button is pressed momentarily to read the next error code.</p>
<p>3. Buzzer beeps the same number of times as the second digit of the error code (0.5sec on / 0.5sec off).</p>	<p>3. The sequence keeps repeating endlessly until the Start/Pause/Cancel button is pressed momentarily to read the next error code.</p>	
<p>4. Buzzer stays silent until the Start/Pause/Cancel button is pressed momentarily to read the next error code.</p>		

DIAGNOSTIC MODE

ENTER DIAGNOSTIC MODE

1. The knobs can be in any position
2. If the unit is unplugged, then Cold Power On the unit and do step (4) below, OR if the unit is already plugged in do step (3) below
3. If the unit is already plugged in, then do a Full Control Reset:
 - a. Turn the Cycle Selector to Presoak and Temperature knob to the leftmost position
 - b. Press and hold the Cycle Selector for at least 6sec (for certainty 8sec)
 - c. Turn the Temperature knob to the rightmost position
 - d. Press the Cycle Selector knob momentarily (<1sec)
 - e. The unit will indicate that a Full Control Reset has been done successfully by beeping the buzzer 3 times (if buzzer available).
 - f. The Full Control Reset sequence steps (c-e) have to be completed within 5 secs of step (b)
4. Within 15 secs of Cold Power On or Full Control Reset, do all of the following:
 - a. Turn the Cycle Selector to Presoak and Temperature knob to the leftmost position
 - b. Press the Cycle Selector knob momentarily (<1sec)
 - c. Now within 5sec of (b), do the remaining
 - d. Turn the Temperature knob to the rightmost position
 - e. Press the Cycle Selector knob momentarily (<1sec). All the LEDs on the console will turn on and stay on.
 - f. Turn the Temperature knob to the leftmost position
 - g. Press the Cycle Selector knob momentarily (<1sec). There will be a long 2 sec beep (if buzzer available).
 - h. Turn the Cycle Selector knob to Normal. All the LEDs will now start blinking.
 - i. The machine is now in Diagnostic Mode.

DIAGNOSTIC TESTS

1. With the Cycle Selector knob in the Normal position.
 - a. This will be a zero position where if LEDs (if equipped) will blink and the buttons can be checked.
2. Turn the Cycle Selector knob (1) clicks clockwise from Normal position.
 - a. The lid lock will activate and the hot water solenoid will activate and hot water should enter the tub.
3. Turn the Cycle Selector knob (2) clicks clockwise from Normal position.
 - a. The cold water solenoid will activate and cold water should enter the tub. If softener option is available on the machine, then the softener solenoid will also activate and the softener compartment will be filling up and siphoning cold water at the same time.
4. Turn the Cycle Selector knob (3) clicks clockwise from Normal position.
 - a. The lid lock will deactivate and the lid can be opened. The tub light (if equipped) will turn on.
5. Turn the Cycle Selector knob (4) clicks clockwise from Normal position.
 - a. The lid lock will activate and both the hot and cold water solenoids will turn on and fill up to a certain level. After the pressure sensor has been satisfied, agitation will begin and the recirculation pump (if equipped) will turn on.
6. Turn the Cycle Selector knob (5) clicks clockwise from Normal position.
 - a. All motor movement will stop and only the drain pump will activate, draining out any water in the tub.
7. Turn the Cycle Selector knob (6) clicks clockwise from Normal position.
 - a. The drain pump turns on and the washer goes to high spin. Spin should always happen in the CCW direction of the tub.
8. Turn the Cycle Selector knob (7) clicks clockwise from Normal position.
 - a. The control will signal the last 5 error codes and software version with E00 being no error. (See the part about reading error codes)

EXIT DIAGNOSTIC MODE

1. Unplug the power cord, wait 5-8secs, then reconnect the power cord, OR
2. Do a Full Control Reset, OR
3. The machine will exit Diagnostic Mode automatically after 15mins

ERROR CODES

Error Code Chart		
Error code	Fault condition	Check
E11	Fill time too long	Refer to test (1) first Then refer to test (2)
E21	Water not pumping out fast enough	Refer to test (3)
E31	Electronic pressure switch failure	Refer to test (4)
E32	Pressure sensor calibration problems	Refer to test (4)
E35	Pressure sensor indicates water overflow	Refer to test (5)
E41	Control board thinks lid switch is open	Refer to test (6)
E42	Lid lock device failure	Refer to test (6)
E43	Control board fails to lock lid	Refer to test (6)
E44	Lid closed sensing failure	Refer to test (6)
E45	Lid locked sensing failure	Refer to test (6)
E46	Lid lock command sensing failure	Refer to test (6)
E49	Lid incongruence between lid closed sensing and lid locked sensing	Refer to test (6)
E4A	Lid locked triac sensing failure on control board	Refer to test (6)
E52	Tachometer signal missing	Refer to test (7)
E53	Low voltage to control board	Refer to test (13)
E57	High current on inverter	Refer to test (8)
E58	High current on motor phase	Refer to test (8)
E59	Incongruence between real motor speed and expected motor speed	Refer to test (8)
E5A	High temperature on heat sink on control board	Refer to test (8)
E5C	Voltage too high on control board	Refer to test (11)
E75	Valve NTC failure	Refer to test (12)
E91	Communication error between UI board and control board	Refer to test (10)
E92	Communication error between UI board and control board	Refer to test (10)
E93	UI board or control board problem	Refer to test (10)
E94	Control board problem	Refer to test (10)
E97	UI board or control board problem	Refer to test (10)
EA1	Power supply frequency out of limits	Refer to test (11)
EAE	Line safe relay sensing failure	Refer to test (11)
EF1	Clogged drain pump	Unclog the drain pump

Test		
Test	Check	Correction
Test 1	1. Is the incoming water flow normal?	Yes. Go to step (4). No. Go to step (2).
	2. Are the incoming water faucets turned on?	Yes. Go to step (3). No. Turn water faucets on.
	3. Is the incoming water pressure above 20psi?	Yes. Check for kinked or blocked incoming water hoses, clean the incoming water screens. If problem still remains, replace the water inlet valve assembly. No. Have customer correct inlet pressure problem.
	4. Does the fill water continue to enter the washer?	Yes. Go to step (5). No. Go to step (6).
	5. Remove power from the washer. Did the water fill stop?	Yes. Go to step (6). No. Replace the water inlet valve assembly. Pressure sensor checks good. If yes, go to step (7). If no, replace the pressure sensor.
	6. Replace the pressure sensor.	If this did not correct the problem, go to step (7).
	7. Replace the User Interface board.	If this did not correct the problem, go to step (8).
	8. Replace the Main Control board.	
Test 2	1. Is the washer leaking water?	Yes. Correct water leak. No. Go to step (2).
	2. Is there an air leak in the air bell system?	Yes. Correct the air leak problem. No. Go to step (3).
	3. Replace the pressure sensor.	If this did not correct the problem, go to step (4).
	4. Replace the User Interface board.	If this did not correct the problem, go to step (5).
	5. Replace the Main Control board.	
Test 3	1. Check the drain hose for restrictions.	Restriction. Correct problem. No restriction. Remove the pump and check for blockage. If blocked, remove the restriction, if not, go to step (2).
	2. Start the washer and check for 120 VAC at the drain pump.	If 120 VAC present at the drain pump when the pump is activated, then replace the pump. If Zero VAC. Check the wiring. If wiring is good, replace the Main Control board.
Test 4	1. Inspect the wiring between the pressure sensor and the main control board.	Defective wiring. Correct wiring. Good wiring. Then go to step (2).
	2. Replace the pressure sensor.	If this did not correct the problem, go to step (3).
	3. Replace the User Interface board.	If this did not correct the problem, go to step (4).
	4. Replace the Main Control board.	
Test 5	1. Is the water level above 5 inches?	Yes. Go to step (2). No. Go to step (4).
	2. Does water enter the washer continuously?	Yes. Go to step (3). No. Check air bell for clog. If no clog, then go to step (4).
	3. Remove power from the washer. Does the water stop coming in?	Yes. Check wiring to valve assembly for shorts. Wiring good, go to step (5). No. Replace the water inlet valve assembly.
	4. Replace the pressure sensor. Did this correct the problem?	Yes. Problem solved. No. Go to step (5).

	5. Replace the User Interface Board. Did this correct the problem?	Yes. Problem solved. No. Replace the Main Control board.
Test 6	1. Is the lid closed?	Yes. Go to step (2). No. Close the lid.
	2. Can you hear the lock attempt to close?	Yes. Check the lid strike. If good, replace the lid lock. No. Go to step (3).
	3. Check the wire connection between the lid lock and main control board.	If good, replace the lid lock. If problem is not corrected, replace the Main Control board.
Test 7	1. Disconnect the plug from the drive motor and measure the resistance between pins 4 & 5 in the motor.	If the reading is between 105 & 130 Ohms, check the wiring. If wiring okay, then replace the Main Control board. If the meter reads other than 105 & 130 Ohms, replace the motor.
Test 8	1. Find out if the unit was overloaded. If not, remove the belt from the motor and spin the motor pulley. Does the motor spin free?	Yes. Go to step (2). No. Replace the motor.
	2. Spin the tub pulley. Does the tub spin free?	Yes. Go to step (3). No. Check the tub bearings.
	3. Disconnect the plug from the motor and measure the resistance of the windings (pin 1 to pin 2, pin 1 to pin 3, pin 2 to pin 3). All the readings should be between 3.4 & 4 Ohms if motor is cold or between 4 & 5 Ohms if motor is warm or hot.	If the readings are correct, check wiring from motor to main control board. If good, replace the Main Control board. If the readings are incorrect, replace the motor.
Test 9	1. Remove the belt from the motor and spin the motor pulley. Does the motor spin free?	Yes. Go to step (2). No. Replace the motor.
	2. Spin the tub pulley. Does the tub spin free?	Yes. Go to step (3). No. Check the tub bearings.
	3. Disconnect the plug from the drive motor and measure the resistance between pins 4 & 5 in the motor.	If the reading is between 105 & 130 Ohms, go to step (4). If the reading is other than between 105 & 130 Ohms, check the wiring. If wiring okay, then replace the motor.
	4. Disconnect the plug from the motor and measure the resistance of the windings (pin 1 to pin 2, pin 1 to pin 3, pin 2 to pin 3). All the readings should be between 3.4 & 4 Ohms if motor is cold or between 4 & 5 Ohms if motor is warm or hot.	If the readings are correct, replace Main Control board. If the readings are incorrect, replace the motor.
Test 10	1. Communication problem. Check the wiring between the man control board and the UI board.	Wiring bad, correct wiring problem. Wiring good, replace the UI board. If the problem is not corrected, replace the Main Control board.
Test 11	1. Have the power company check the frequency and the voltage of the incoming power.	If correct, for error codes E5C, EA1, EAE replace the Main Control board.
Test 12	1. Check the resistance of the inlet valve NTC. Is it around 50K Ohms?	Yes. Go to step (2). No. Replace water inlet valve assembly.
	2. Check the wiring. Is it okay?	Yes. Replace the UI board. No. Fix the wiring.
Test 13	1. Is the wiring good from the service cord to the Main Control board.	Yes. Replace the Main Control board. No. Go to step (2).
	2. Fix the harness. Does the problem remain?	Yes. Go to step (3). No. Problem fixed.
	3. Is there continuity from the wire at J1-3 on the Main Control board to the lid lock feedback connection?	Yes. Go to step (4). No. Check the harness for cuts and discontinuity and then fix.
	4. Replace the lid lock and try.	Problem remains? Replace the Main Control Board.
Test 14	1. Check the wiring from the service cord to the main control board.	If good, replace the Main Control board.
Test 15	1. Check to see if the load looks unbalanced and if the load is very large.	Yes. If large load, then advice customer to load regular sized loads. No. Replace the Main Control board.

Fiche Technique de la Laveuse

Ces renseignements sont destinés aux techniciens qualifiés.

ATTENTION : SAUF INDICATION CONTRAIRE, COUPEZ L'ALIMENTATION EN ÉLECTRICITÉ AVANT DE RÉPARER L'APPAREIL.

Veuillez laisser cette fiche signalétique avec le produit à titre de référence.

Acronymes :

SH - sens horaire

SAH - sens antihoraire

Première alimentation - Appareil branché pour la première fois

LECTURE DES CODES D'ERREUR

1. Pour lire les codes d'erreur, accédez au mode diagnostique (reportez-vous aux instructions ci-dessous sur la façon d'accéder à ce mode).
2. Le dernier code d'erreur enregistré est affiché en premier.
3. Appuyez pendant moins d'une seconde sur la touche Start/Pause/Cancel (départ/pause/annuler) pour consulter les 5 derniers codes d'erreur enregistrés.
4. Le code E00 signifie qu'il n'y a pas de code d'erreur. Aucune sonnerie ne se fera entendre et aucune DEL ne clignotera.
5. Pour effacer tous les codes d'erreur, appuyez sur la touche Start/Pause/Cancel (départ/pause/annuler) et maintenez-la enfoncée pendant 4 secondes ou plus.

Mode d'affichage des codes d'erreur		
Si l'appareil est doté d'une sonnerie	DEL de diagnostic du tableau principal	Si l'appareil est doté d'un affichage du temps restant prévu
<p>1. La sonnerie émet le même nombre de bips que le premier chiffre du code d'erreur (0,5 sec. marche / 0,5 sec. arrêt).</p> <p>Exemple : Si le premier chiffre est 3, la sonnerie suit la séquence suivante : 0,5 sec. marche / 0,5 sec. arrêt / 0,5 sec. marche / 0,5 sec. arrêt / 0,5 sec. marche / 0,5 sec. arrêt.</p> <p>Les lettres A, B, C, D, E et F correspondent aux lectures des chiffres de sonnerie 10, 11, 12, 13, 14 et 15 respectivement.</p>	<p>1. La DEL de diagnostic du tableau principal clignote le même nombre de fois que le premier chiffre du code d'erreur (0,5 seconde marche / 0,5 seconde arrêt). Après une courte pause, la DEL de diagnostic du tableau principal clignote le même nombre de fois que le deuxième chiffre du code d'erreur (0,5 seconde marche / 0,5 seconde arrêt).</p> <p>Exemple : Si le premier chiffre est 3, la DEL suit la séquence suivante : 0,5 sec. marche / 0,5 sec. arrêt / 0,5 sec. marche / 0,5 sec. arrêt.</p> <p>Les lettres A, B, C, D, E et F correspondent aux lectures des chiffres de la DEL 10, 11, 12, 13, 14 et 15 respectivement.</p>	<p>1. Seuls les deux chiffres du code d'erreur s'affichent. E ne s'affiche pas.</p> <p>Exemple : Pour le code d'erreur E5C, c'est 5C qui s'affichera.</p>
<p>2. La sonnerie reste silencieuse pendant 2 sec.</p>	<p>2. Les DEL restent éteintes pendant 2 secondes.</p>	<p>2. Le code d'erreur reste affiché jusqu'à ce que vous appuyiez sur la touche Start/Pause/Cancel (départ/pause/annuler) pour lire le prochain code d'erreur.</p>
<p>3. La sonnerie émet le même nombre de bips que le deuxième chiffre du code d'erreur (0,5 sec. marche / 0,5 sec. arrêt).</p>	<p>3. La séquence se répète infiniment jusqu'à ce que vous appuyiez sur la touche Start/Pause/Cancel (départ/pause/annuler) pour lire le prochain code d'erreur.</p>	
<p>4. La sonnerie reste silencieuse jusqu'à ce que vous appuyiez sur la touche Start/Pause/Cancel (départ/pause/annuler) pour lire le prochain code d'erreur.</p>		

ACCÉDER AU MODE DIAGNOSTIQUE

1. Les boutons peuvent être placés dans n'importe quelle position.
2. Si l'appareil est débranché, effectuez la première alimentation de l'appareil et passez à l'étape (4) ci-dessous OU, si l'appareil est déjà branché, passez à l'étape (3) ci-dessous.
3. Si l'appareil est déjà branché, effectuez une réinitialisation complète :
 - a. Tournez le bouton de sélection de programme à la position Presoak (prétrempage) et le bouton de sélection de la température à l'extrême gauche.
 - b. Appuyez sur le bouton de sélection de programme et maintenez-le enfoncé pendant au moins 6 secondes (ou 8 secondes pour être plus certain).
 - c. Tournez le bouton de sélection de la température à sa position la plus à droite.
 - d. Appuyez sur le bouton de sélection de programme pendant moins d'une seconde.
 - e. L'appareil indiquera que la réinitialisation complète des commandes a été réussie en émettant 3 bips (si la sonnerie est disponible).
 - f. Les étapes de la réinitialisation complète (c à e) doivent être complétées dans un délai de 5 secondes après l'étape (b).
4. Dans les 15 secondes qui suivent la première alimentation ou la réinitialisation complète, suivez toutes les étapes ci-dessous :
 - a. Tournez le bouton de sélection de programme à la position Presoak (prétrempage) et le bouton de sélection de la température à l'extrême gauche.
 - b. Appuyez sur le bouton de sélection de programme pendant moins d'une seconde.
 - c. Dans les 5 secondes suivant l'étape (b), effectuez les dernières étapes :
 - d. Tournez le bouton de sélection de la température à sa position la plus à droite.
 - e. Appuyez sur le bouton de sélection de programme pendant moins d'une seconde. Tous les voyants à DEL de la console s'allumeront et resteront allumés.
 - f. Tournez le bouton de sélection de la température à sa position la plus à gauche.
 - g. Appuyez sur le bouton de sélection de programme pendant moins d'une seconde. Un signal sonore de 2 secondes se fera entendre (si la sonnerie est disponible).
 - h. Tournez le boutons de sélection de programme à Normal. Tous les voyants à DEL clignoteront.
 - i. La laveuse est alors en mode diagnostique.

TESTS DE DIAGNOSTIC

1. Avec le bouton de sélection de programme à la position Normal.
 - b. Dans cette position, les DEL (le cas échéant) clignotent et les boutons peuvent être vérifiés.
2. Tournez le bouton de sélection de programme d'une (1) position dans le sens horaire à partir de la position Normal.
 - a. Le verrouillage du couvercle et le solénoïde de l'eau chaude se mettent en marche, et l'eau chaude entre dans la cuve.
3. Tournez le bouton de sélection de programme de deux (2) positions dans le sens horaire à partir de la position Normal.
 - a. Le solénoïde de l'eau froide se met en marche, et l'eau froide entre dans la cuve. Si la machine est dotée d'une option de produit assouplissant, le solénoïde du produit assouplissant se met également en marche et le compartiment à assouplissant se remplit et siphonne simultanément de l'eau froide.
4. Tournez le bouton de sélection de programme de trois (3) positions dans le sens horaire à partir de la position Normal.
 - a. Le verrouillage du couvercle est désactivé et le couvercle peut être soulevé. L'éclairage de la cuve (le cas échéant) s'allume.
5. Tournez le bouton de sélection de programme de quatre (4) positions dans le sens horaire à partir de la position Normal.
 - a. Le verrouillage du couvercle est activé et les solénoïdes d'eau chaude et d'eau froide s'ouvrent et se remplissent jusqu'à un certain niveau. Une fois les conditions du capteur de pression satisfaites, le brassage commence et la pompe de recirculation (le cas échéant) se met en marche.
6. Tournez le bouton de sélection de programme de cinq (5) positions dans le sens horaire à partir de la position Normal.
 - a. Le moteur s'arrête complètement et seule la pompe de vidange fonctionne, vidant l'eau qui se trouve dans la cuve.

7. Tournez le bouton de sélection de programme de six (6) positions dans le sens horaire à partir de la position Normal.
 - a. La pompe d'évacuation se met en marche et la laveuse se met en mode d'essorage à haute vitesse. L'essorage doit toujours s'effectuer dans le SAH de la cuve.
8. Tournez le bouton de sélection de programme de sept (7) positions dans le sens horaire à partir de la position Normal.
 - a. L'affichage indiquera les 5 derniers codes d'erreur, dont le code E00 qui n'est pas considéré comme une erreur, et la version du logiciel. (Reportez-vous au chapitre sur la lecture des codes d'erreur.)

QUITTER LE MODE DIAGNOSTIQUE

1. Débranchez le cordon d'alimentation, attendez de 5 à 8 secondes et rebranchez le cordon d'alimentation OU
2. Effectuez une réinitialisation complète OU
3. La laveuse quittera automatiquement le mode diagnostique après 15 minutes.

CODES D'ERREUR

Tableau des codes d'erreur		
Code d'erreur	Anomalie	Vérification
E11	Remplissage trop long	Reportez-vous d'abord au test (1) Puis, reportez-vous au test (2)
E21	L'eau n'est pas évacuée assez rapidement	Reportez-vous au test (3)
E31	Panne de l'interrupteur électronique de pression	Reportez-vous au test (4)
E32	Problèmes de calibration du capteur de pression	Reportez-vous au test (4)
E35	Le capteur de pression indique un surremplissage	Reportez-vous au test (5)
E41	Le tableau de commande indique que l'interrupteur du couvercle est ouvert	Reportez-vous au test (6)
E42	Défaillance du mécanisme de verrouillage du couvercle	Reportez-vous au test (6)
E43	Le tableau de commande ne verrouille pas le couvercle	Reportez-vous au test (6)
E44	Défaillance du capteur de fermeture du couvercle	Reportez-vous au test (6)
E45	Défaillance du capteur de verrouillage du couvercle	Reportez-vous au test (6)
E46	Défaillance du capteur de la commande de verrouillage	Reportez-vous au test (6)
E49	Anomalie entre le capteur de fermeture et le capteur de verrouillage du couvercle	Reportez-vous au test (6)
E4A	Défaillance du capteur triac de verrouillage du couvercle sur le tableau de commande	Reportez-vous au test (6)
E52	Absence de signal du tachymètre	Reportez-vous au test (7)
E53	Basse tension au tableau de commande	Reportez-vous au test (13)
E57	Haute tension au convertisseur	Reportez-vous au test (8)
E58	Haute tension dans une phase du moteur	Reportez-vous au test (8)
E59	Différence entre la vitesse réelle du moteur et la vitesse prévue du moteur	Reportez-vous au test (8)
E5A	Température élevée du dissipateur de chaleur sur le tableau de commande	Reportez-vous au test (8)
E5C	Tension trop élevée au tableau de commande	Reportez-vous au test (11)
E75	Défaillance de la thermistance du robinet	Reportez-vous au test (12)
E91	Erreur de transmission entre le tableau de l'IU et le tableau de commande	Reportez-vous au test (10)
E92	Erreur de transmission entre le tableau de l'IU et le tableau de commande	Reportez-vous au test (10)
E93	Problème du tableau de l'IU et du tableau de commande	Reportez-vous au test (10)
E94	Problème du tableau de commande	Reportez-vous au test (10)
E97	Problème du tableau de l'IU et du tableau de commande	Reportez-vous au test (10)
EA1	Fréquence de l'alimentation électrique hors limite	Reportez-vous au test (11)
EAE	Défaillance du capteur du relais de ligne sécuritaire	Reportez-vous au test (11)
EF1	Pompe d'évacuation bouchée	Débouchez la pompe d'évacuation

Test		
Test	Vérification	Solution
Test 1	1. Est-ce que l'eau qui arrive à la machine circule normalement?	Oui. Passez à l'étape (4). Non. Passez à l'étape (2).
	2. Est-ce que les robinets d'eau sont ouverts?	Oui. Passez à l'étape (3). Non. Ouvrez les robinets.
	3. Est-ce que la pression de l'eau qui arrive à la machine est supérieure à 20 lb/po ² ?	Oui. Vérifiez qu'il n'y a pas de tuyau d'arrivée d'eau entortillé ou obstrué et nettoyez les grilles d'arrivée d'eau. Si le problème persiste, remplacez le robinet d'arrivée d'eau. Non. Demandez au client de corriger le problème de pression d'admission.
	4. Est-ce que l'eau de remplissage continue d'entrer dans la laveuse?	Oui. Passez à l'étape (5). Non. Passez à l'étape (6).
	5. Coupez l'alimentation électrique de la laveuse. Est-ce que la machine a arrêté de se remplir?	Oui. Passez à l'étape (6). Non. Remplacez le robinet d'arrivée d'eau. Le capteur de pression fonctionne correctement. Le cas échéant, passez à l'étape (7). Si ce n'est pas le cas, remplacez le capteur de pression.
	6. Remplacez le capteur de pression.	Si cela ne règle pas le problème, passez à l'étape (7).
	7. Remplacez la carte d'interface utilisateur.	Si cela ne règle pas le problème, passez à l'étape (8).
	8. Remplacez le tableau de commande principal.	
Test 2	1. Est-ce que de l'eau fuit de la laveuse?	Oui. Réparez la fuite d'eau. Non. Passez à l'étape (2).
	2. Est-ce qu'il y a une fuite d'air dans la bulle d'air?	Oui. Réparez la fuite d'air. Non. Passez à l'étape (3).
	3. Remplacez le capteur de pression.	Si cela ne règle pas le problème, passez à l'étape (4).
	4. Remplacez la carte d'interface utilisateur.	Si cela ne règle pas le problème, passez à l'étape (5).
	5. Remplacez le tableau de commande principal.	
Test 3	1. Vérifiez le tuyau de vidange pour toute obstruction.	En cas d'obstruction, réglez le problème. Aucune obstruction. Retirez la pompe et vérifiez s'il y a une obstruction. En cas d'obstruction, éliminez la cause de l'obstruction. S'il n'y a pas d'obstruction, passez à l'étape (2).
	2. Mettez la laveuse en marche et vérifiez que la tension de la pompe d'évacuation est de 120 V c.a.	Si la tension de la pompe de vidange est de 120 V c.a. lorsque celle-ci est activée, remplacez la pompe. En l'absence de tension, vérifiez le câblage. Si le câblage est en bonne condition, remplacez le tableau de commande principal.
Test 4	1. Inspectez le câblage entre le capteur de pression et le tableau de commande principal.	Câblage défectueux. Câblage en bonne condition. Bon câblage. Puis, passez à l'étape (2).
	2. Remplacez le capteur de pression.	Si cela ne règle pas le problème, passez à l'étape (3).
	3. Remplacez la carte d'interface utilisateur.	Si cela ne règle pas le problème, passez à l'étape (4).
	4. Remplacez le tableau de commande principal.	

Test 5	1. Est-ce que le niveau de l'eau dépasse 5 po?	Oui. Passez à l'étape (2). Non. Passez à l'étape (4).
	2. Est-ce que l'eau entre dans la laveuse de façon continue?	Oui. Passez à l'étape (3). Non. Vérifiez que la bulle d'air n'est pas bouchée. Si elle n'est pas bouchée, passez à l'étape 4.
	3. Coupez l'alimentation électrique de la laveuse. Est-ce que l'eau arrête d'entrer?	Oui. Vérifiez la présence de courts-circuits au câblage du robinet. Si le câblage est en bonne condition, passez à l'étape (5). Non. Remplacez le robinet d'arrivée d'eau.
	4. Remplacez le capteur de pression. Est-ce que cela a réglé le problème?	Oui. Le problème a été réglé. Non. Passez à l'étape (5).
	5. Remplacez la carte d'interface utilisateur. Est-ce que cela a réglé le problème?	Oui. Le problème a été réglé. Non. Remplacez le tableau de commande principal.
Test 6	1. Est-ce que le couvercle est fermé?	Oui. Passez à l'étape (2). Non. Fermez le couvercle.
	2. Est-ce que vous pouvez entendre le système de verrouillage essayer de se fermer?	Oui. Vérifiez le percuteur du couvercle. S'il fonctionne, remplacez le verrou du couvercle. Non. Passez à l'étape (3).
	3. Vérifiez la connexion du fil entre le verrou du couvercle et le tableau de commande principal.	S'il fonctionne, remplacez le verrou du couvercle. Si le problème persiste, remplacez le tableau de commande principal.
Test 7	1. Débranchez la fiche du moteur d'entraînement et mesurez la résistance entre les broches 4 et 5 du moteur.	Si la lecture se situe entre 105 et 130 ohms, vérifiez le câblage. Si le câblage est en bonne condition, remplacez le tableau de commande principal. Si la lecture ne se situe pas entre 105 et 130 ohms, remplacez le moteur.
Test 8	1. Vérifiez s'il y a eu une surcharge de l'appareil. S'il n'y a pas eu de surcharge, retirez la courroie du moteur et tournez la poulie du moteur. Est-ce que le moteur tourne librement?	Oui. Passez à l'étape (2). Non. Remplacez le moteur.
	2. Tournez la poulie de la cuve. Est-ce que la cuve tourne librement?	Oui. Passez à l'étape (3). Non. Vérifiez les paliers de la cuve.
	3. Débranchez la fiche du moteur et mesurez la résistance des bobines (broche 1 à broche 2, broche 1 à broche 3, broche 2 à broche 3). Toutes les lectures doivent se situer entre 3,4 et 4 Ohms si le moteur est froid ou entre 4 et 5 Ohms si le moteur est chaud.	Si les lectures sont correctes, vérifiez le câblage du moteur jusqu'au tableau de commande principal. S'il est en bonne condition, remplacez le tableau de commande principal. Si les lectures sont incorrectes, remplacez le moteur.
Test 9	1. Retirez la courroie du moteur et tournez la poulie du moteur. Est-ce que le moteur tourne librement?	Oui. Passez à l'étape (2). Non. Remplacez le moteur.
	2. Tournez la poulie de la cuve. Est-ce que la cuve tourne librement?	Oui. Passez à l'étape (3). Non. Vérifiez les paliers de la cuve.
	3. Débranchez la fiche du moteur d'entraînement et mesurez la résistance entre les broches 4 et 5 du moteur.	Si la lecture se situe entre 105 et 130 Ohms, passez à l'étape (4). Si la lecture ne se situe pas entre 105 et 130 Ohms, vérifiez le câblage. Si le câblage est correct, remplacez le moteur.
	4. Débranchez la fiche du moteur et mesurez la résistance des bobines (broche 1 à broche 2, broche 1 à broche 3, broche 2 à broche 3). Toutes les lectures doivent se situer entre 3,4 et 4 Ohms si le moteur est froid ou entre 4 et 5 Ohms si le moteur est chaud.	Si les lectures sont correctes, remplacez le tableau de commande principal. Si les lectures sont incorrectes, remplacez le moteur.

Test 10	1. Problème de transmission. Vérifiez le câblage entre le tableau de commande principal et le tableau de l'IU.	Câblage défectueux, corrigez le problème de câblage. Câblage en bonne condition, remplacez le tableau de l'IU. Si le problème persiste, remplacez le tableau de commande principal.
Test 11	1. Demandez à la compagnie d'électricité de vérifier la fréquence et la tension de l'alimentation.	Si la tension est correcte, remplacez le tableau de commande principal (pour les codes d'erreur E5C, EA1 et EAE).
Test 12	1. Vérifiez la thermistance (CTN) du robinet d'entrée. Est-elle d'environ 50 kilohms?	Oui. Passez à l'étape 2. Non. Remplacez le robinet d'arrivée d'eau.
	2. Vérifiez le câblage. Est-il en bonne condition?	Oui. Remplacez le tableau de l'IU. Non. Réparez le câblage.
Test 13	1. Le câblage du cordon d'alimentation au tableau de commande principal est-il en bonne condition?	Oui. Remplacez le tableau de commande principal. Non. Passez à l'étape 2.
	2. Réparez le faisceau. Le problème persiste-t-il?	Oui. Passez à l'étape 3. Non. Le problème a été réglé.
	3. Y a-t-il une continuité du câble de la borne J1-3 du tableau principal à la connexion de rétroaction du verrouillage du couvercle?	Oui. Passez à l'étape 4. Non. Vérifiez la présence d'entailles et d'une discontinuité, puis réparez-les.
	4. Remplacez le verrouillage du couvercle, puis réessayez.	Le problème persiste? Remplacez le tableau de commande principal.
Test 14	1. Vérifiez le câblage du cordon d'alimentation au tableau de commande principal.	S'il est en bonne condition, remplacez le tableau de commande principal.
	2. La température de l'eau chaude est-elle sensiblement la même que celle de l'eau froide?	Oui. Réparez l'alimentation en eau chaude de la maison.
Test 15	1. Vérifiez si la charge est déséquilibrée et volumineuse.	Oui. Si la charge est volumineuse, conseillez au client de charger une quantité régulière d'articles. Non. Remplacez le tableau de commande principal.

Hoja de información técnica de la lavadora

Esta información es sólo para técnicos calificados.

PRECAUCIÓN: A MENOS QUE SE INDIQUE LO CONTRARIO, DESCONECTE EL SUMINISTRO ELÉCTRICO ANTES DE REALIZAR MANTENIMIENTO

Deje esta hoja con el producto para referencia future

Siglas:

CW: sentido horario (hacia la derecha)

CCW: sentido anti-horario (hacia la izquierda)

"Cold Power On" (encendido en frío): la unidad se enchufa por primera vez

LECTURA DE CÓDIGOS DE ERROR

1. Para interpretar los códigos de error, entre en el modo de diagnóstico (consulte las instrucciones más abajo).
2. Primero se mostrará el último código de error registrado.
3. Oprima brevemente el botón de encendido/pausa/anular (cada vez por menos de un segundo) para navegar por los últimos 5 códigos de error registrados.
4. E00 significa que no hay códigos de error y no viene acompañado de señales sonoras o de destellos de la luz LED.
5. Para anular todos los códigos de error, mantenga oprimido el botón de encendido/pausa/anular durante 4 segundos o más.

Método de visualización de códigos de error		
Si incluye señal sonora	LED de diagnóstico del tablero principal	Si incluye visualización de tiempo restante
<p>1. La señal sonora suena la misma cantidad de veces que el primer dígito del código de error (0,5 segundos activada / 0,5 segundos apagada).</p> <p>Por ejemplo: Si el primer dígito es 3, la secuencia de la señal sonora será 0,5 segundos activada / 0,5 segundos apagada / 0,5 segundos activada / 0,5 segundos apagada / 0,5 segundos activada / 0,5 segundos apagada.</p> <p>Las letras A, B, C, D, E, F corresponden a las lecturas de dígitos de la señal sonora para los números 10, 11, 12, 13, 14, 15 respectivamente.</p>	<p>1. El LED de diagnóstico del tablero principal destella la misma cantidad de veces que el primer dígito del código de error (0,5 segundos encendido/0,5 segundos apagado).</p> <p>Luego de una pausa breve, el mismo LED de diagnóstico del tablero principal destella la misma cantidad de veces que el segundo dígito del código de error (0,5 segundos encendido/0,5 segundos apagado).</p> <p>Por ejemplo: Si el primer dígito es 3, la secuencia del LED será 0,5 segundos encendido / 0,5 segundos apagado / 0,5 segundos encendido / 0,5 segundos apagado / 0,5 segundos encendido / 0,5 segundos apagado.</p> <p>Las letras A, B, C, D, E, F corresponden a las lecturas de dígitos del LED para los números 10, 11, 12, 13, 14, 15 respectivamente.</p>	<p>1. Sólo se mostrará el número de error en los dos dígitos. La letra "E" no se mostrará.</p> <p>Por ejemplo: Para el código de error E5C, el segmento mostrará "5C".</p>
<p>2. La señal sonora permanecerá en silencio por 2 segundos.</p>	<p>2. El LED permanecerá 2 segundos apagado.</p>	<p>2. El código de error mostrado permanecerá encendido hasta que oprima el botón de encendido/pausa/anular brevemente para leer el próximo código de error.</p>
<p>3. La señal sonora suena la misma cantidad de veces que el segundo dígito del código de error (0,5 segundos activada / 0,5 segundos apagada).</p>	<p>3. La secuencia se repetirá indefinidamente hasta que oprima el botón de encendido/pausa/anular brevemente para leer el próximo código de error.</p>	
<p>4. La señal sonora permanecerá en silencio hasta que oprima el botón de encendido/pausa/anular brevemente para leer el próximo código de error.</p>		

ACCEDER AL MODO DE DIAGNÓSTICO

1. Las perillas pueden estar en cualquier posición
2. Si la unidad está desenchufada, encienda la unidad en frío y realice el paso (4) más abajo O, si la unidad ya está enchufada, realice el paso (3) más abajo.
3. Si la unidad ya está enchufada, realice un restablecimiento completo del control:
 - a. Gire el selector de ciclo a "Presoak" (prerremojó) y la perilla de temperatura a la posición de más a la izquierda
 - b. Oprima el selector del ciclo por lo menos durante 6 segundos (8 segundos para estar seguro)
 - c. Gire la perilla de temperatura a la posición de más a la derecha
 - d. Oprima la perilla de selección del ciclo por un momento (menos de 1 segundo)
 - e. La unidad indicará que el restablecimiento completo del control se realizó exitosamente emitiendo 3 señales sonoras (si la unidad incluye señal sonora).
 - f. Los pasos de la secuencia de restablecimiento completo del control (c-e) deben ser realizados durante los 5 segundos siguientes al paso (b)
4. Durante los 15 segundos siguientes al encendido en frío o al restablecimiento completo del control, haga todo lo siguiente:
 - a. Gire el selector de ciclo a "Presoak" (prerremojó) y la perilla de temperatura a la posición de más a la izquierda
 - b. Oprima la perilla de selección del ciclo por un momento (menos de 1 segundo)
 - c. Ahora, a 5 segundos de realizar el paso (b), realice los pasos restantes
 - d. Gire la perilla de temperatura a la posición de más a la derecha
 - e. Oprima la perilla de selección del ciclo por un momento (menos de 1 segundo). Todas las luces LED de la consola se encenderán y permanecerán encendidas.
 - f. Gire la perilla de temperatura a la posición de más a la izquierda
 - g. Oprima la perilla de selección del ciclo por un momento (menos de 1 segundo). Escuchará una señal sonora larga (de 2 segundos) (si la unidad tiene señal sonora).
 - h. Gire la perilla de selección del ciclo a la opción "Normal". Todas las luces LED comenzarán a destellar.
 - i. La unidad está ahora en el modo de diagnóstico.

PRUEBAS DE DIAGNÓSTICO

1. Con la perilla de selección del ciclo en la posición Normal.
 - a. Esta posición será una posición "nula" en la cual los LED (si vienen incluidos) destellarán y se pueden probar los botones.
2. gire la perilla de selección del ciclo (1) posiciones hacia la derecha de la posición Normal.
 - a. El seguro de la tapa se acoplará, el solenoide de agua caliente se activará y el agua caliente entrará en la tina.
3. gire la perilla de selección del ciclo (2) posiciones hacia la derecha de la posición Normal.
 - a. El solenoide de agua fría se activará y el agua fría entrará en la tina. Si la opción de suavizante está disponible en la unidad, el solenoide de suavizante también se activará y el compartimiento de suavizante se llenará y comenzará el efecto sifón de agua fría al mismo tiempo.
4. gire la perilla de selección del ciclo (3) posiciones hacia la derecha de la posición Normal.
 - a. El seguro de la tapa se desactivará y podrá abrir la tapa. La luz de la tina (si se incluye) se encenderá.
5. gire la perilla de selección del ciclo (4) posiciones hacia la derecha de la posición Normal.
 - a. El seguro de la tapa se activará y *los solenoides de agua caliente y fría se encenderán y la tina se llenará hasta cierto nivel. Después de que el sensor de presión se haya disparado, comenzará la agitación y se encenderá la bomba de recirculación (si viene incluida).*
6. *gire la perilla de selección del ciclo (5) posiciones hacia la derecha de la posición Normal.*
 - a. *El movimiento del motor se detendrá y sólo se activará la bomba de drenaje para drenar el agua que se encuentre en la tina.*
7. gire la perilla de selección del ciclo (6) posiciones hacia la derecha de la posición Normal.
 - a. La bomba de drenaje se encenderá y la lavadora pasará a centrifugado a alta velocidad. El centrifugado siempre se realizará en dirección anti-horario (hacia la izquierda) en relación a la tina.
8. gire la perilla de selección del ciclo (7) posiciones hacia la derecha de la posición Normal.
 - a. El control indicará los últimos cinco códigos de error y la versión del software E00 si no hay error. (Consulte la sección sobre lectura de códigos de error)

SALIR DEL MODO DE DIAGNÓSTICO

1. Desenchufe el cordón eléctrico, espere de 5 a 8 segundos y, a continuación, vuelva a conectar el cordón eléctrico, O BIEN
2. Realice un restablecimiento completo de control, O BIEN
La unidad saldrá del modo de diagnóstico automáticamente después de 15 minutos

CÓDIGOS DE ERROR

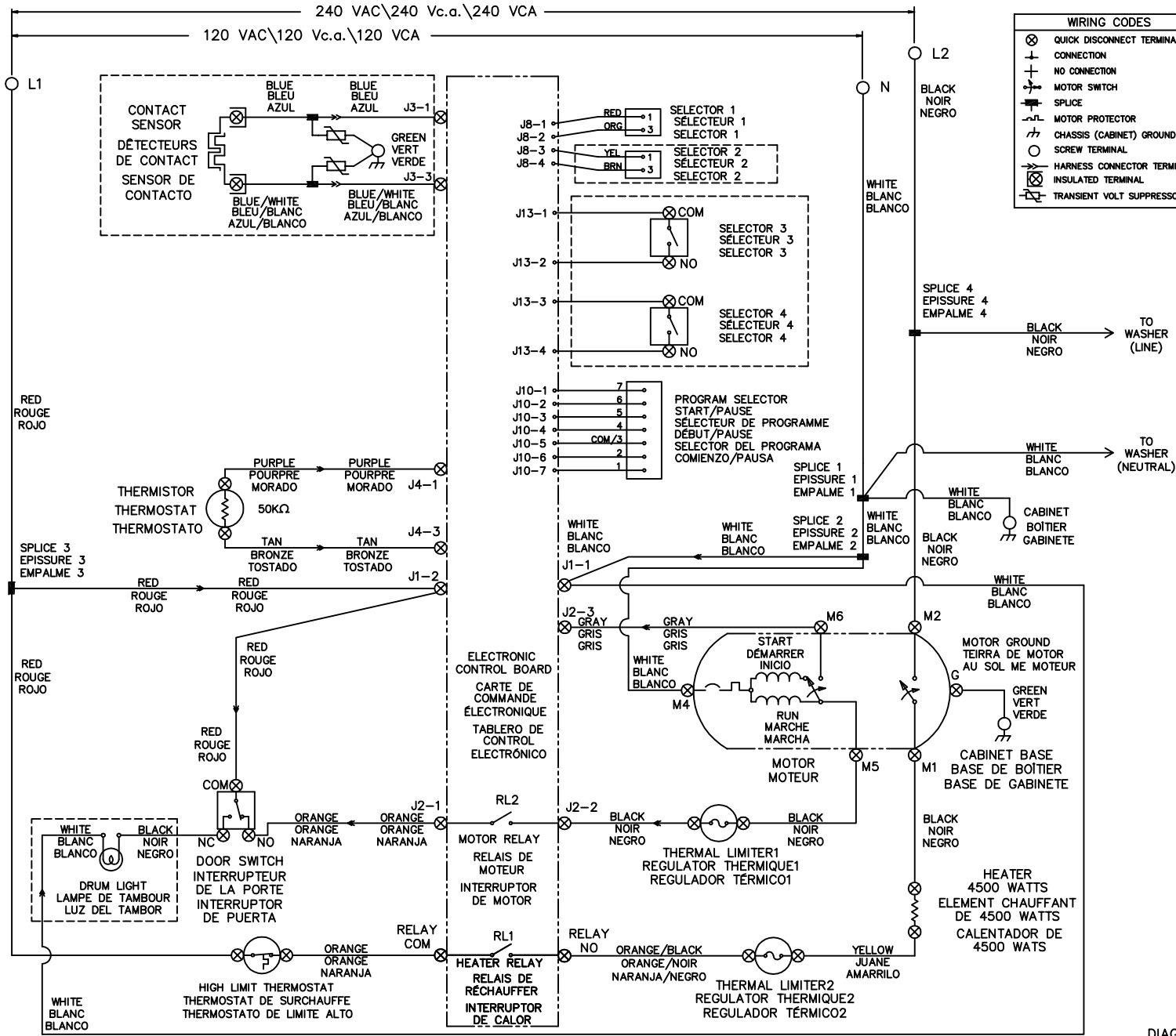
Tabla de códigos de error		
Código de error	Condición de falla	Verifique
E11	El llenado tarda demasiado	Consulte la prueba (1) primero Luego consulte la prueba (2)
E21	El agua no se bombea lo suficientemente rápido	Consulte la prueba (3).
E31	Falla del interruptor electrónico de presión	Consulte la prueba (4).
E32	Problemas de calibración del sensor de presión	Consulte la prueba (4).
E35	El sensor de presión indica sobrellenado de agua	Consulte la prueba (5).
E41	El tablero de control piensa que el interruptor de la tapa está abierto	Consulte la prueba (6).
E42	Falla del dispositivo de bloqueo de la tapa	Consulte la prueba (6).
E43	El tablero de control no bloquea la tapa	Consulte la prueba (6).
E44	Falla del sensor de cerrado de la tapa	Consulte la prueba (6).
E45	Falla del sensor de bloqueo de la tapa	Consulte la prueba (6).
E46	Falla del sensor de comando de bloqueo de la tapa	Consulte la prueba (6).
E49	Diferencia entre la posición cerrada y la posición bloqueada del sensor de la tapa	Consulte la prueba (6).
E4A	Falla de sensor de tapa bloqueada en el tablero de control	Consulte la prueba (6).
E52	La señal del tacómetro no está presente	Consulte la prueba (7).
E53	Bajo voltaje al tablero de control	Consulte la prueba (13).
E57	Corriente alta en el inversor	Consulte la prueba (8).
E58	Corriente alta en la fase del motor	Consulte la prueba (8).
E59	Diferencia entre la velocidad real del motor y la velocidad esperada	Consulte la prueba (8).
E5A	Temperatura alta en el disipador de calor del tablero de control	Consulte la prueba (8).
E5C	Voltaje demasiado alto en el tablero de control	Consulte la prueba (11).
E75	Falla de NTC de la válvula	Consulte la prueba (12).
E91	Error de comunicación entre el tablero de interfaz y el tablero de control	Consulte la prueba (10).
E92	Error de comunicación entre el tablero de interfaz y el tablero de control	Consulte la prueba (10).
E93	Problema del tablero de interfaz o el tablero de control	Consulte la prueba (10).
E94	Problema del tablero de control	Consulte la prueba (10).
E97	Problema del tablero de interfaz o el tablero de control	Consulte la prueba (10).
EA1	Frecuencia del suministro eléctrico fuera de límite	Consulte la prueba (11).
EAE	Falla del sensor del relé de seguridad de la línea	Consulte la prueba (11).
EF1	Bomba de drenaje obstruida	Desatasque la bomba de desagüe

Prueba		
Prueba	Verifique	Solución
Prueba 1	1. ¿Es el flujo entrante de agua normal?	Sí. Vaya al paso (4). No. Vaya al paso (2).
	2. ¿Están abiertas las llaves de admisión?	Sí. Vaya al paso (3). No. Abra las llaves de agua.
	3. ¿La presión de agua entrante está por encima de los 20psi?	Sí. Verifique que las mangueras de admisión no estén bloqueadas o torcidas y limpie las mallas de las mangueras de admisión. Si el problema persiste, reemplace el conjunto de válvula de admisión de agua. No. Haga que el propietario de la casa solucione el problema de la presión de admisión.
	4. ¿El agua continúa entrando a la lavadora durante el llenado?	Sí. Vaya al paso (5). No. Vaya al paso (6).
	5. Desconecte el suministro eléctrico de la lavadora. ¿Se interrumpió el llenado de agua?	Sí. Vaya al paso (6). No. Reemplace el conjunto de válvula de admisión de agua. El sensor de presión funciona bien. Si es así, vaya al paso (7). Si no, reemplace el sensor de presión.
	6. Reemplace el sensor de presión.	Si esto no corrige el problema, vaya al paso (7).
	7. Reemplace el tablero de interfaz del usuario.	Si esto no corrige el problema, vaya al paso (8).
	8. Reemplace el tablero de control principal.	
Prueba 2	1. ¿Hay una fuga de agua en la lavadora?	Sí. Corrija la fuga de agua. No. Vaya al paso (2).
	2. ¿Hay una fuga de aire en el sistema de burbuja de aire?	Sí. Corrija el problema de la fuga de aire. No. Vaya al paso (3).
	3. Reemplace el sensor de presión.	Si esto no corrige el problema, vaya al paso (4).
	4. Reemplace el tablero de interfaz del usuario.	Si esto no corrige el problema, vaya al paso (5).
	5. Reemplace el tablero de control principal.	
Prueba 3	1. Verifique que la manguera de drenaje no esté restringida.	Restricción. Corrija el problema. No hay restricciones. Retire la bomba y verifique que no hayan obstrucciones. Si está bloqueada, retire la restricción; de lo contrario, vaya al paso (2).
	2. Encienda la lavadora y verifique que llegue corriente de 120 V CA a la bomba de drenaje.	Si hay 120 V CA en la bomba de drenaje cuando activa la bomba, reemplace la bomba. Si la corriente es 0 V CA. Revise el cableado. Si el cableado está bien, reemplace el tablero de control principal.
Prueba 4	1. Inspeccione el cableado entre el sensor de presión y el tablero de control principal.	Cableado defectuoso. Repare el cableado. El cableado está bien. Luego vaya al paso (2).
	2. Reemplace el sensor de presión.	Si esto no corrige el problema, vaya al paso (3).
	3. Reemplace el tablero de interfaz del usuario.	Si esto no corrige el problema, vaya al paso (4).
	4. Reemplace el tablero de control principal.	

Prueba 5	1. ¿El nivel de agua es de más de 5 pulgadas?	Sí. Vaya al paso (2). No. Vaya al paso (4).
	2. ¿Entra el agua de manera continua a la lavadora?	Sí. Vaya al paso (3). No. Verifique si la burbuja de aire está obstruida. Si no está obstruida, vaya al paso (4).
	3. Desconecte el suministro eléctrico de la lavadora. ¿El agua deja de entrar?	Sí. Verifique el cableado al conjunto de la válvula en busca de cortos. El cableado está bien, vaya al paso (5). No. Reemplace el conjunto de válvula de admisión de agua.
	4. Reemplace el interruptor de sensor de presión. ¿Se corrigió el problema?	Sí. Problema resuelto. No. Vaya al paso (5).
	5. Reemplace el tablero de interfaz del usuario. ¿Se corrigió el problema?	Sí. Problema resuelto. No. Reemplace el tablero de control principal.
Prueba 6	1. ¿Está cerrada la tapa?	Sí. Vaya al paso (2). No. Cierre la tapa.
	2. ¿Puede escuchar el seguro tratando de cerrarse?	Sí. Revise el pestillo de la tapa. Si funciona, reemplace el seguro de la tapa. No. Vaya al paso (3).
	3. Verifique la conexión de los cables entre el seguro de la tapa y el tablero de control principal.	Si funciona, reemplace el seguro de la tapa. Si no se resuelve el problema, reemplace el tablero de control principal.
Prueba 7	1. Desconecte el enchufe del motor de impulsión y mida la resistencia entre los pasadores 4 y 5 en el motor.	Si la lectura es de entre 105 y 130 ohmios, verifique el cableado. Si el cableado está bien, reemplace el tablero de control principal. Si la lectura del medidor arroja otros números que no sean 105 o 130 ohmios, reemplace el motor.
Prueba 8	1. Averigüe si la unidad se sobrecargó. Si no, retire la correa del motor y gire la polea. ¿El motor gira libremente?	Sí. Vaya al paso (2). No. Reemplace el motor.
	2. Gire la polea de la tina. ¿La tina gira libremente?	Sí. Vaya al paso (3). No. Verifique los rodamientos de la tina.
	3. Desconecte el enchufe del motor y mida la resistencia de los bobinados (pin 1 al pin 2, pin 1 al pin 3, pin 2 al pin 3). Todas las lecturas deben estar entre 3,4 y 4 Ohmios si el motor está frío o entre 4 y 5 Ohmios si el motor está tibio o caliente.	Si las lecturas son las correctas, verifique el cableado desde el motor hasta el tablero de control principal. Si está bien, reemplace el tablero de control principal. Si las lecturas no son las correctas, reemplace el motor.
Prueba 9	1. Retire la correa del motor y gire la polea. ¿El motor gira libremente?	Sí. Vaya al paso (2). No. Reemplace el motor.
	2. Gire la polea de la tina. ¿La tina gira libremente?	Sí. Vaya al paso (3). No. Verifique los rodamientos de la tina.
	3. Desconecte el enchufe del motor de impulsión y mida la resistencia entre los pasadores 4 y 5 en el motor.	Si la lectura está entre 105 y 130 Ohmios, vaya al paso (4). Si la lectura del medidor es otra que no esté entre 105 y 130 Ohmios, verifique el cableado. Si el cableado está bien, reemplace el motor.
	4. Desconecte el enchufe del motor y mida la resistencia de los bobinados (pin 1 al pin 2, pin 1 al pin 3, pin 2 al pin 3). Todas las lecturas deben estar entre 3,4 y 4 Ohmios si el motor está frío o entre 4 y 5 Ohmios si el motor está tibio o caliente.	Si las lecturas son las correctas, reemplace el tablero de control principal. Si las lecturas no son las correctas, reemplace el motor.

Prueba 10	1. Problema de comunicación. Verifique el cableado entre el tablero de control principal y el tablero de interfaz del usuario.	El cableado está defectuoso; corrija el problema de cableado. El cableado está bien; reemplace el tablero de interfaz del usuario. Si no se resuelve el problema, reemplace el tablero de control principal.
Prueba 11	1. Haga que la compañía eléctrica verifique la frecuencia y el voltaje de la electricidad entrante.	Si el voltaje es el correcto, para los códigos de error E5C, EA1, EAE, reemplace el tablero de control principal.
Prueba 12	1. Verifique la resistencia de la válvula NTC de admisión. ¿Está alrededor de los 50K Ohmios?	Sí. Vaya al paso (2). No. Reemplace el conjunto de válvula de admisión de agua.
	2. Revise el cableado. ¿Está bien?	Sí. Reemplace el tablero de interfaz del usuario. No. Arregle el cableado.
Prueba 13	1. ¿Está el cableado, desde el cable eléctrico hasta el tablero de control principal, en buenas condiciones?	Sí. Reemplace el tablero de control principal. No. Vaya al paso (2).
	2. Arregle el mazo de cables. ¿Continúa el problema?	Sí. Vaya al paso (3). No. Problema resuelto.
	3. ¿Hay continuidad desde el cable en J1-3 del tablero de control principal hasta la conexión de retroalimentación de la traba de la tapa?	Sí. Vaya al paso (4). No. Verifique si hay cortes o discontinuidad en el cableado y luego arréglo.
	4. Reemplace la traba de la tapa y pruébela.	¿Persiste el problema? Reemplace el tablero de control principal.
Prueba 14	1. Verifique el cableado desde el cable eléctrico hasta el tablero de control principal.	Si está bien, reemplace el tablero de control principal.
	2. ¿La temperatura del agua caliente es aproximadamente la misma que la del agua fría?	Sí. Corrija el suministro de agua caliente en la vivienda.
Prueba 15	1. Verifique si la carga parece estar fuera de balance y si la carga es demasiado grande.	Sí. Si la carga es demasiado grande, aconséjale al cliente usar cargas de tamaño normal. No. Reemplace el tablero de control principal.

CAUTION: DISCONNECT ELECTRIC CURRENT BEFORE SERVICING.
 MISE EN GARDE: METTRE HORS TENSION AVANT D'EFFECTUER TOUTE MESURE D'ENTRETIEN.
 PRECAUCION: DESCONECTE LA CORRIENTE ELÉCTRICA ANTES DE DAR SERVICIO A LA SECADORA.



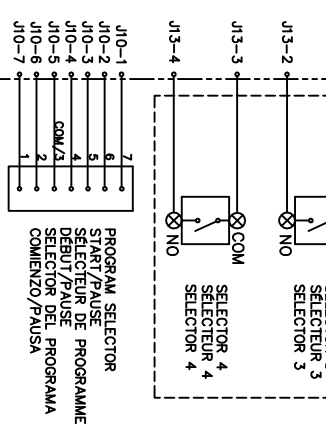
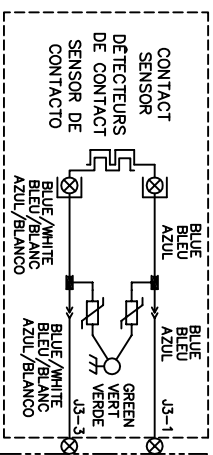
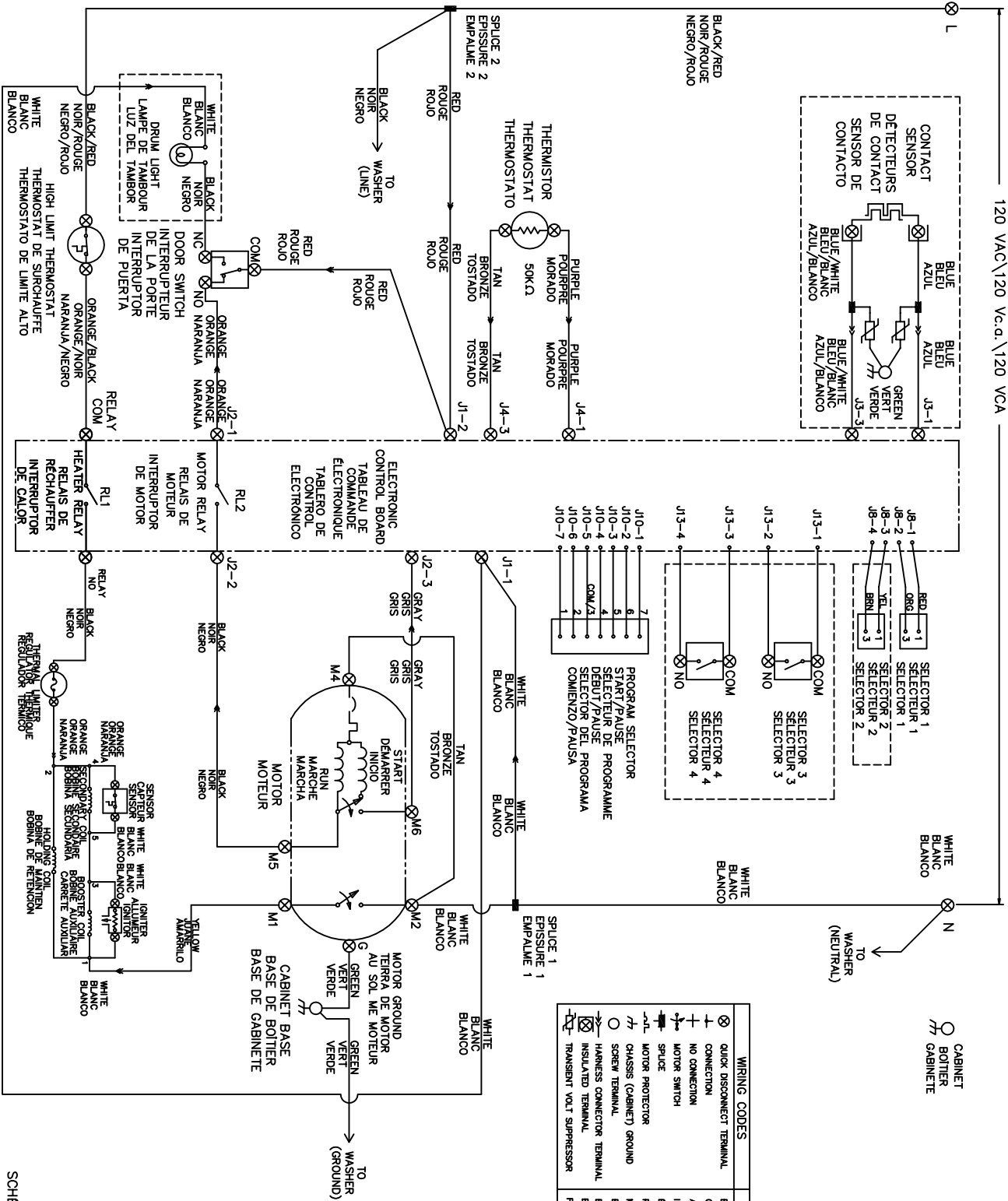
WIRING CODES	CODES DE CÂBLAGE	CÓDIGOS DE CABLEADO
⊗ QUICK DISCONNECT TERMINAL	BORNE À DÉBRANCHEMENT RAPIDE	TERMINAL DE DESCONEXIÓN RÁPIDA
⊕ CONNECTION	CONNEXION	CONEXIÓN
⊖ NO CONNECTION	AUCUNE CONNEXION	SIN CONEXIÓN
⊙ MOTOR SWITCH	INTERRUPTEUR DU MOTEUR	INTERRUPTOR DE MOTOR
⊞ SPLICE	ÉPISSURE	UNIÓN
⊚ MOTOR PROTECTOR	PROTECTEUR DU MOTEUR	PROTECTOR DE MOTOR
⊛ CHASSIS (CABINET) GROUND	MISE À LA TERRE DU BOÎTIER	ESTRUCTURA DE LA BASE DEL GABINETE
⊜ SCREW TERMINAL	BORNE À VIS	TERMINAL DE TORNILLO
⊝ HARNESS CONNECTOR TERMINAL	BORNE À CONNECTEUR DE HARNAIS	TERMINAL DEL CONECTOR DE ARNÉS
⊞ INSULATED TERMINAL	BORNE OSOLÉE	TERMINAL AISLADA
⊞ TRANSIENT VOLT SUPPRESSOR	FILTRE PASSAGER DE VOLT	SUPRESOR DEL TRANSMISOR DE VOLTIOS

- NOTES:
- CONNECT DRYER TO A 30 AMPERE INDIVIDUAL BRANCH CIRCUIT.
 - CONTROL SHOWN IN OFF POSITION, DOOR SWITCH CLOSED & MOTOR AT REST.
- REMARQUES:
- BRANCHER LA SÈCHEUSE À UNE DÉRIVATION INDIVIDUELLE DE 30 AMPÈRES.
 - COMMANDE ILLUSTRÉE EN POSITION FERMÉ, INTERRUPTEUR DE LA PORTE FERMÉE, MOTEUR ARRÊTÉ.
- NOTAS:
- CONECTE LA SECADORA A UN CIRCUITO INDIVIDUAL DE 30 AMPERIOS.
 - EL CONTROL SE MUESTRA APAGADO, EL INTERRUPTEUR DE PUERTA CERRADO Y EL MOTOR EN DESCANSO.

NOT ON ALL MODELS

CAUTION: DISCONNECT ELECTRIC CURRENT BEFORE SERVICING.
 MISE EN GARDE: METTRE HORS TENSION AVANT D'EFFECTUER TOUTE MESURE D'ENTRETIEN.
 PRECAUCION: DESCONECTE LA CORRIENTE ELECTRICA ANTES DE DAR SERVICIO A LA SECADORA.

120 VAC \120 Vc.a. \120 VCA



WIRING CODES	CODES DE CÂBLAGE	CÓDIGOS DE CABLEADO
⊗ QUICK DISCONNECT TERMINAL CONNECTION	BORNE À DÉBRANCHEMENT RAPIDE	TERMINAL DE DESCONEXIÓN RÁPIDA
⊕ NO CONNECTION	AUCUNE CONNEXION	SIN CONEXIÓN
⊖ MOTOR SWITCH	INTERRUPTEUR DU MOTEUR	INTERRUPCIÓN DE MOTOR
⊚ CHASSIS (CABINET) GROUND	MISE À LA TERRE DU BOÎTIER	PROTECTOR DE MOTOR
⊙ SCREW TERMINAL	BORNE À VIS	ESTRUCURA DE LA BASE DEL GABINETE
⊗ HARNESS CONNECTOR TERMINAL	BORNE À CONNECTEUR DE HARNAIS	TERMINAL DEL CONECTOR DE ARNES
⊚ INSULATED TERMINAL	BORNE ISOLÉE	TERMINAL AISLADA
⊚ TRANSPARENT VOLT SUPPRESSOR	FILTRE PASSAGER DE VOLT	SUPRESOR DEL TRANSMISOR DE VOLTTOS

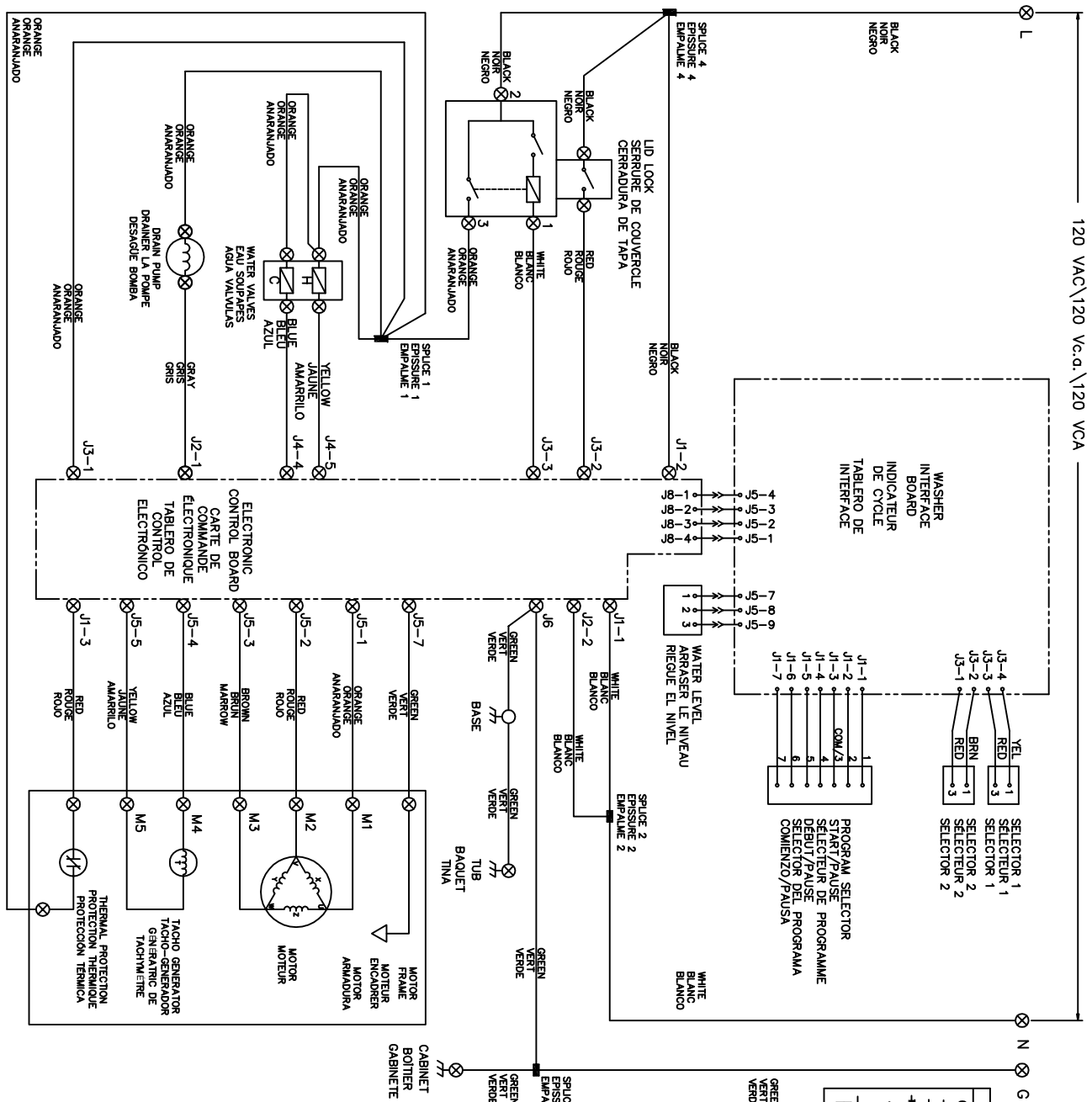
- NOTES:
- CONNECT DRYER TO A 15 AMPERE INDIVIDUAL BRANCH CIRCUIT.
 - CONTROL SHOWN IN OFF POSITION, DOOR SWITCH CLOSED & MOTOR AT REST.
- REMARKS:
- BRANCHER LA SECADORA A UN CIRCUITO INDIVIDUAL DE 15 AMPERES.
 - EL CONTROL SE MUESTRA APAGADO, EL INTERRUPTOR DE PUERTA CERRADO Y EL MOTOR EN DESCANSO.



WIRING DIAGRAM PART NO. 137303600 D
 SCHEMA DE CÂBLAGE N° DE PIÈCE
 DIAGRAMA DE CABLEADO NO DE PARTE



CAUTION: DISCONNECT ELECTRIC CURRENT BEFORE SERVICING.
 MISE EN GARDE: METTRE HORS TENSION AVANT D'EFFECTUER TOUTE MESURE D'ENTRETIEN.
 PRECAUCION: DESCONECTE LA CORRIENTE ELECTRICA ANTES DE DAR SERVICIO A EL ELECTRODOMESTICO.



WIRING CODES	CODES DE CABLAGE	CODIGOS DE CABLEADO
⊗ QUICK DISCONNECT TERMINAL	BORNE A DESBRANCHEMENT RAPIDE	TERMINAL DE DESCONEXION RAPIDA
⊕ NO CONNECTION	AUCUNE CONNEXION	SIN CONEXION
⊖ NO CONNECTION	AUCUNE CONNEXION	SIN CONEXION
⊕ SPICE	MISE A LA TERRE DU BOITIER	ESTRUCTURA DE LA BASE DEL GABINETE
⊖ SPICE	BORNE A NS	BORNE A CONECTOR DE MARNAS
⊕ CHASSIS (CABINET) GROUND	BORNE A CONNEXION DE MARNAS	TERMINAL DEL CONECTOR DE MARNAS
⊖ CHASSIS (CABINET) GROUND	BORNE OSOLE	TERMINAL AISLADA
⊕ HARNES CONNECTOR TERMINAL		
⊖ HARNES CONNECTOR TERMINAL		
⊗ INSULATED TERMINAL		

NOTES:
 1. LID LOCK SHOWN UNENERGIZED AND LID OPEN.
 REMARQUES:
 1. LID VERROU REPRESENTE NON ALIMENTE ET OUVRIR LE COUVERCLE.
 NOTAS:
 1. LA CERRADURA DE LA TAPA MOSTRADO UNENERGIZED Y LA TAPA ABRE

WIRING DIAGRAM PART NO. 137366600 D
 SCHEMA DE CABLAGE N° DE PIECE
 DIAGRAMA DE CABLEADO NO DE PARTE