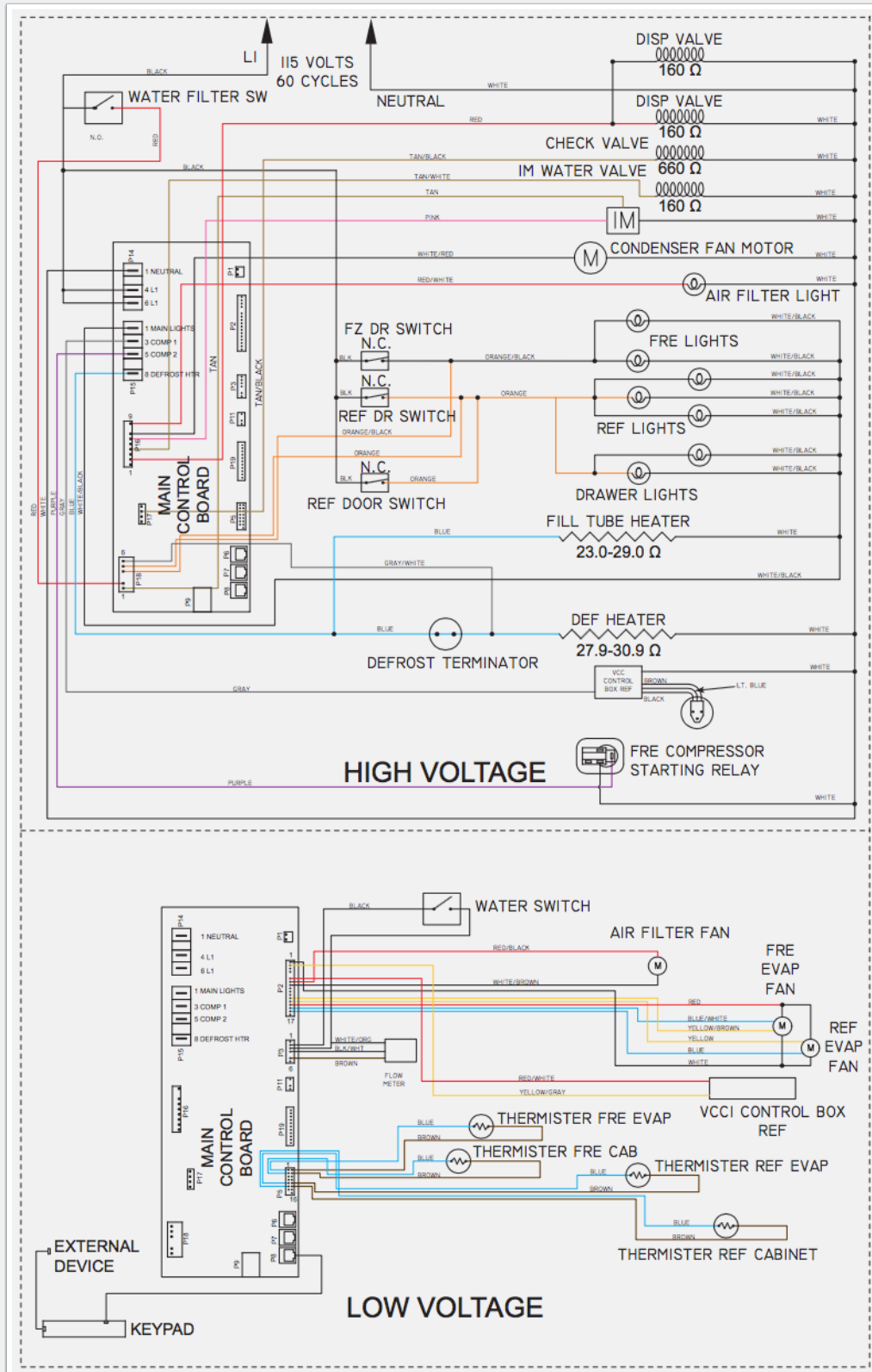


Acme Built-In Refrigerator Troubleshooting Problem

Service Call Request

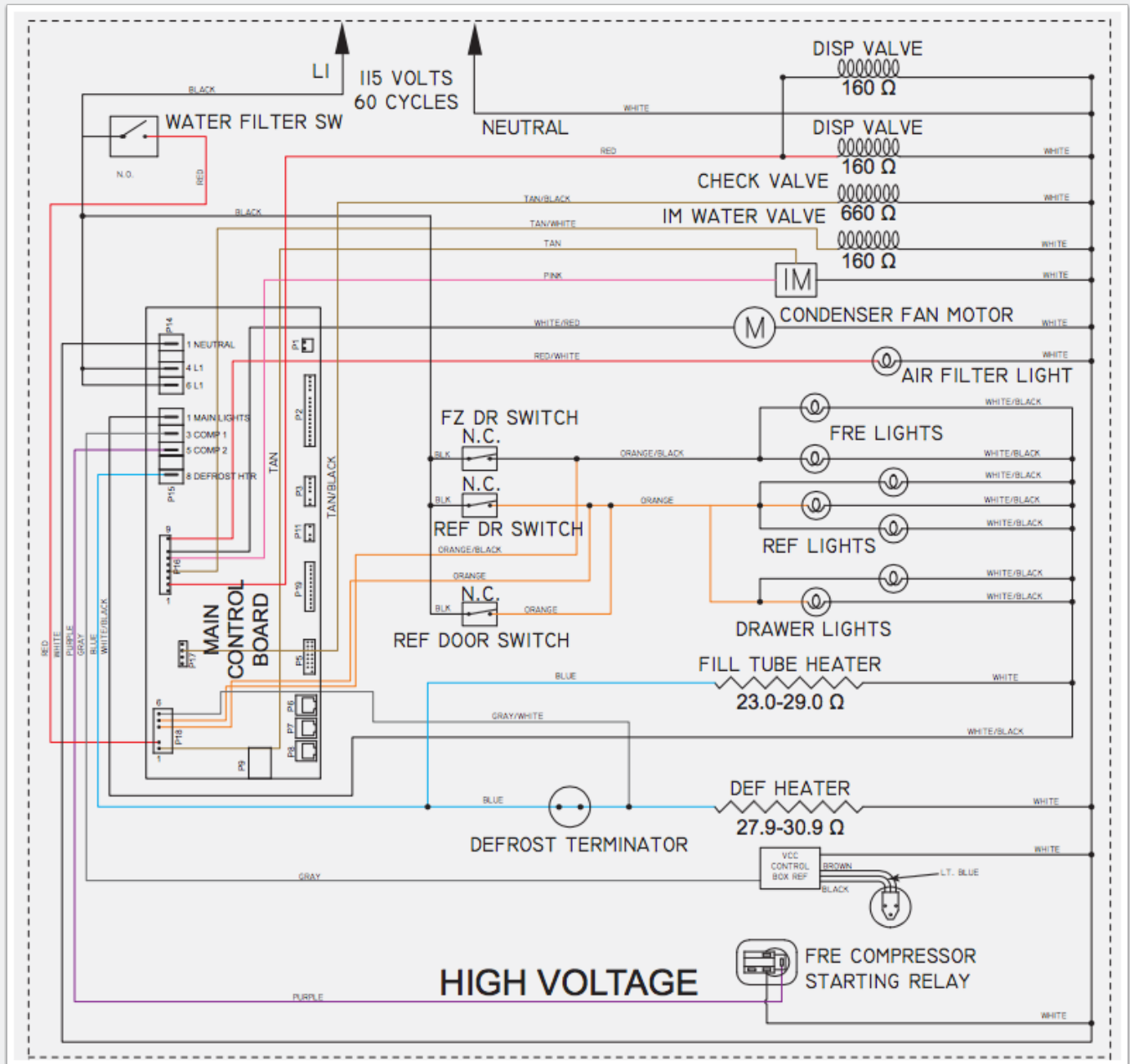
Acme Refrigerator MN 101010 (side by side), FF compartment warming up (65F), FZ compartment fine. Customer hears the compressors running in the top compartment. Says the problem is that the fan inside the FF cmpt is blowing warm air because the defrost heater is stuck on. (CSR Note: Customer has determined that since the defrost heater is stuck on, the heater and main control board need to be replaced. FYI: CS is a robotics engineer and senior VP at General Motors.)

Acme Built-In Refrigerator Troubleshooting Problem



Acme Built-In Refrigerator Troubleshooting Problem

High Voltage Circuits Breakout



Acme Built-In Refrigerator Troubleshooting Problem

Low Voltage Circuit Breakouts

