

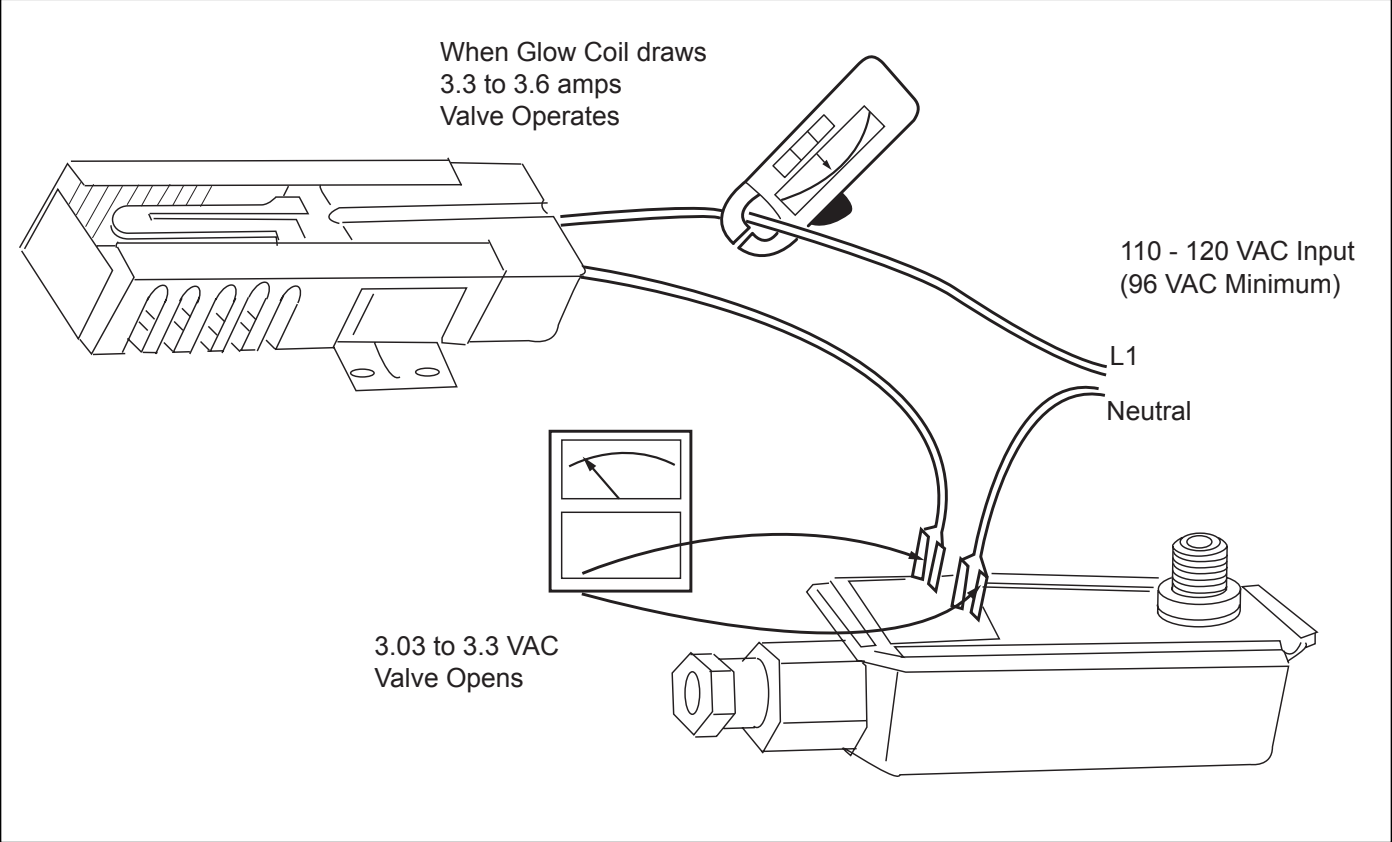
Acme R304 Gas Oven Problem

Service Call Request

Service Call Ticket: Acme R304 gas range. Customer reports that her honey buns are taking much longer to cook now. They used to cook in 15 minutes, now they can take up to an hour. Her husband is an engineer for the NSA and says the problem is the control board/touchpanel.

1. Problem Statement-
2. Schematic Review & Initial Findings-
3. LOI-
4. LOI Circuit Analysis-
5. Troubleshooting Hypothesis-
6. Select Electrical Measurements and Specifications-
7. EEPs-
8. Make Electrical Measurement-
9. Comparison of Measurements with Expected Readings-
10. Indicated Repair-

CHECKING OVEN IGNITION SYSTEM



R304/R304-LP

